

# VERSA

SECURITY HARDWARE

got it covered

**DOOR REPAIR**

**WINDOW REPAIR**

**REPAIR ACCESSORIES**

# VERSA got it covered

We want to help you save time and money by stopping you having to return to jobs twice. It's frustrating and costly when you don't have the exact replacement part needed on your van.

That's why we've produced a range of versatile replacement door and window hardware designed to allow you to complete repairs in one visit.

We know that sometimes jobs get cancelled while you wait for replacement parts to arrive. We know that it's tough to find replacements for old and discontinued parts. You've told us that you hate having stock in the back of the van that you never use and that most products are designed for new fit rather than replacements.

VERSA products mean you only need to stock our versatile retrofit products to suit all your emergency replacement jobs.

**No more** risk of jobs being cancelled while you wait for parts to arrive.

**No more** difficulty in finding the exact replacement product.

**No more** filling up your van with stock you may never use.

# DOOR REPAIR

---

## **V-MPL** Multi-fit Replacement Multipoint Lock

A high security, 3 point locking system designed to replace the largest range of multipoint locks on the market. Supplied in 3 parts with serrated shoe connectors, croppable extensions and the widest range of backsets for ultimate flexibility

## **V-RES** Adjustable Concealed Door Restrictor

A door restrictor, which features an adjustable stop position & friction, creating an opening angle between 90° and 125°

## **V-SHOOT** Shootbolt Kit

A pair of reversible top or bottom shootbolts with keeps to suit the V-MPL range of VERSA Multipoint Locks.

## **V-HANDLE** Retro-fit Door Handle for Multipoint Locks

A truly versatile multipoint lock door handle that will replace the majority of existing handles on the market. The handles slide to vary the PZ to suit the lock concerned.

# WINDOW REPAIR

---

## **V-ESPAG** Retrofit Window Espag

A unique replacement espag system that will retrofit nearly every window espag on the market with a clever croppable design. Available as either 21 or 25mm backset and easily changeable from inline to offset applications.

## **V-WIN** Retrofit Window Espag Handles

Features unique removable spindles that mean that spindles no longer need to be cut down on site and interchangeable buttons for egress and non locking.

## **V-BLADE** Locking Blade/Fork Drive Handles

The V-Blade locking blade or fork drive handle is a unique handle that features an interchangeable fork or blade drive.

## **V-SPUR** Locking Cockspur Handles

A unique cockspur handle that is supplied with a 9mm step height and a 4mm and 8mm packer piece, allowing step heights of 9mm, 13mm, 17mm or 21mm to be achieved. Features elongated holes on packer pieces to allow existing fixing holes to be reused.

## **V-STAY** Retrofit Window Friction Hinges

A range of friction hinges that fit both top or side hung windows that can be quickly changed from 13mm to 17mm stack heights.

---

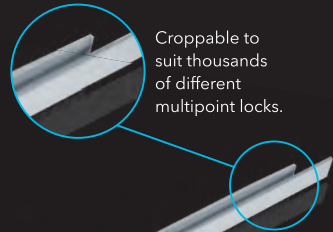
# REPAIR ACCESSORIES

## **VERSA** Accessories

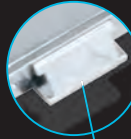
A range of accessories to aid retrofitting repair parts to double glazed door and windows.

# VERSATILE Multipoint Lock

## Why is it Versatile?



Croppable to suit thousands of different multipoint locks.



Reversible latch.



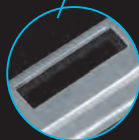
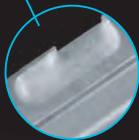
Available in a range of unique backsets.



3 part lock with serrated connectors.



Keeps which fit any profile.



# V-MPL Multi-fit Replacement Multipoint Lock

for timber or UPVC Doors

A high security, versatile 3 point locking system designed to replace the largest range of multipoint locks on the market.

Supplied in 3 parts with serrated shoe connectors and croppable extensions for ultimate flexibility.

Available in 25mm, 28mm, 30mm, 35mm, 40mm, 45mm and 55mm backsets and 16mm and 20mm faceplates.

Can be cropped to replace the majority of multipoint locks in the UK market.

Specific locks and keeps are designed to suit all UPVC or wood door profiles.

Non handed, reversible latch and nightlatch function.

Designed with the smallest gearbox on the market which means no chopping out on site

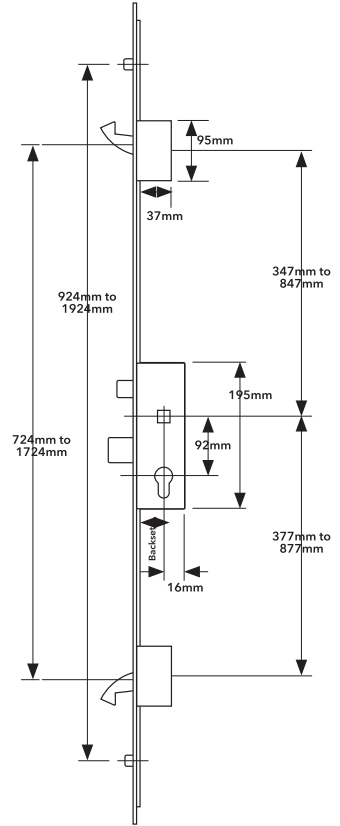
## Specifications

- BACKSET:** 25mm, 28mm, 30mm, 35mm, 40mm, 45mm or 55mm
- CENTRES:** 92mm
- SPINDLE:** Either solid or split for nightlatch applications
- FACEPLATE:** Either 16mm or 20mm
- SIZES:** Will replace locks with:

	MAX	MIN
- Distance from spindle to top hook	847mm	347mm
- Distance from spindle to bottom hook	877mm	377mm

## Detailed Specification

- Central deadbolt with 20mm projection when thrown.
- Adjustable roller cams optimise gasket pressure for better heat and sound insulation.
- Hooks with hardened steel inserts provide enhanced protection against attack.
- Adjustable packers means that keeps fit any profile.
- All locks are supplied with a centre section, 2 extension pieces, keeps to suit, grub screws and packers for UPVC profiles.
- Timber door variations with 20mm faceplate and no rollers.



REVERSIBLE



CROPPABLE



UNIVERSAL STRIKES



3 PART LOCK

VERSA PART	Description	Backset	Spindle	Faceplate
V-MPL25	3 part repair lock with 2 hooks, 2 rollers and PVCu keeps	25mm	Lift lever	16mm
V-MPL28	3 part repair lock with 2 hooks, 2 rollers and PVCu keeps	28mm	Lift lever	16mm
V-MPL30	3 part repair lock with 2 hooks, 2 rollers and PVCu keeps	30mm	Lift lever	16mm
V-MPLSS35	3 part repair lock with 2 hooks, 2 rollers and PVCu keeps	35mm	Split spindle or lift lever	16mm
V-MPL40	3 part repair lock with 2 hooks, 2 rollers and PVCu keeps	40mm	Lift lever	16mm
V-MPLSS45	3 part repair lock with 2 hooks, 2 rollers and PVCu keeps	45mm	Split spindle or lift lever	16mm
V-MPLSST35	3 part repair lock with 2 hooks and keeps	35mm	Split spindle or lift lever	20mm
V-MPLSST45	3 part repair lock with 2 hooks and keeps	45mm	Split spindle or lift lever	20mm
V-MPLT55	3 part repair lock with 2 hooks and keeps	55mm	Lift lever	20mm

- Shootbolt extensions available for 16mm or 20mm extensions.

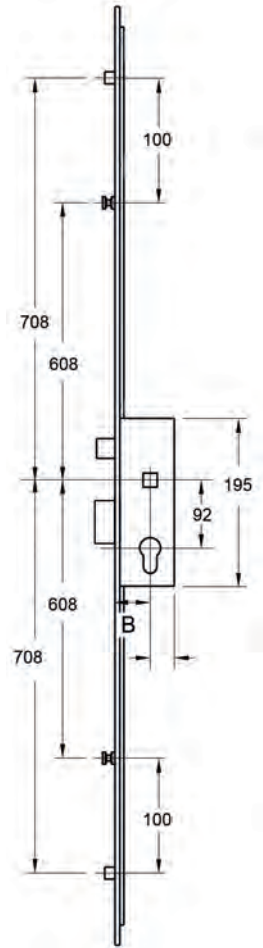
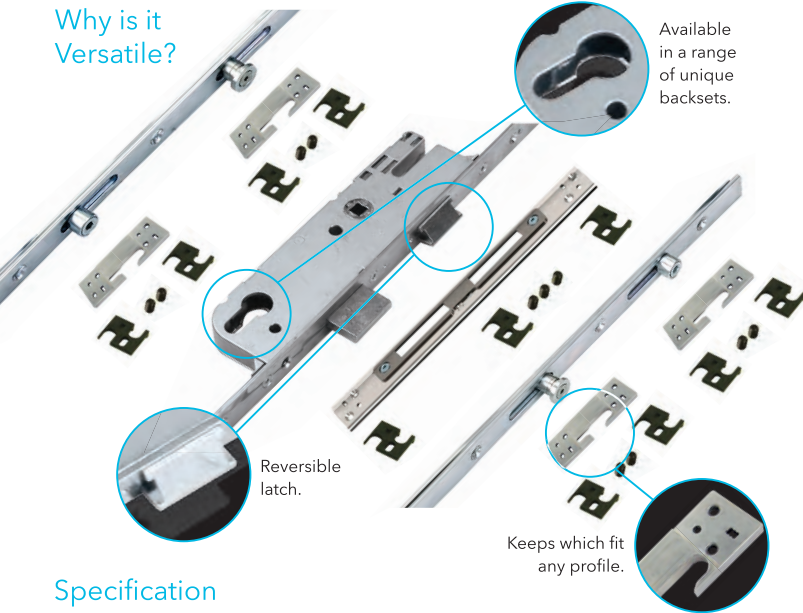
- Keeps also supplied separately if desired

# V-MPL Multi-fit Replacement Multipoint Lock

for UPVC Doors - 2 Rollers, 2 Mushroom Version

The comprehensive repair lock is the quickest way to replace almost any multipoint lock on the market with 92mm PZ. Supplied as a 1 piece lock with 5 part keep system it can be installed in minutes.

## Why is it Versatile?



## Specification

- Supplied as a single piece lock that can be quickly installed to replace any existing 92mm PZ lock
- Supplied with specific, non handed keeps designed to fit PVCu doors
- Features a non handed gearbox with a latch that can be easily reversed
- The central gearbox features a deadbolt with a 20mm projection when thrown
- Adjustable roller cams optimise gasket compression for better heat and sound insulation
- Adjustable packers mean that keeps will fit any profile
- All locks feature a solid spindle with lift lever operation



REVERSIBLE



CROPPABLE



UNIVERSAL STRIKES

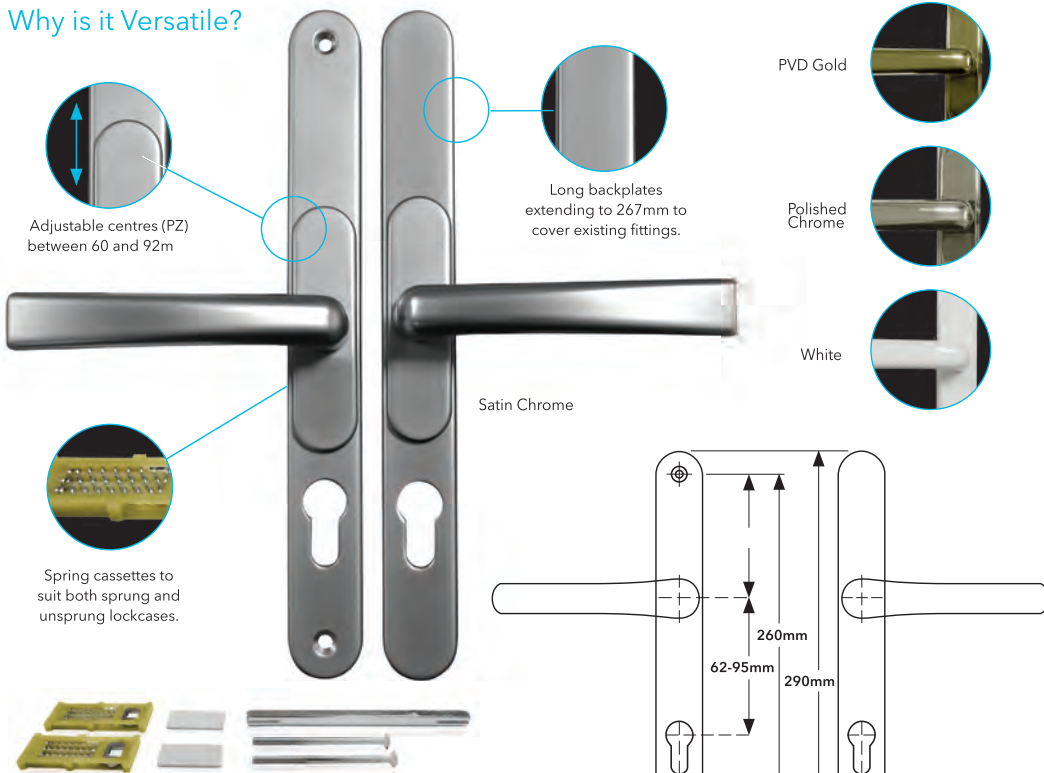
VERSA PART	Description	Backset	Spindle	Faceplate
V-MPL2M2R25	1 part repair lock with 2 mushrooms, 2 rollers & PVCu keeps	25mm	Lift lever	16mm
V-MPL2M2R28	1 part repair lock with 2 mushrooms, 2 rollers & PVCu keeps	28mm	Lift lever	16mm
V-MPL2M2R30	1 part repair lock with 2 mushrooms, 2 rollers & PVCu keeps	30mm	Lift lever	16mm
V-MPL2M2R35	1 part repair lock with 2 mushrooms, 2 rollers & PVCu keeps	35mm	Lift lever	16mm
V-MPL2M2R40	1 part repair lock with 2 mushrooms, 2 rollers & PVCu keeps	40mm	Lift lever	16mm
V-MPL2M2R45	1 part repair lock with 2 mushrooms, 2 rollers & PVCu keeps	45mm	Lift lever	16mm

- Keeps also supplied separately if desired.

# V-HANDLE Retro-fit Door Handle for Multipoint Locks

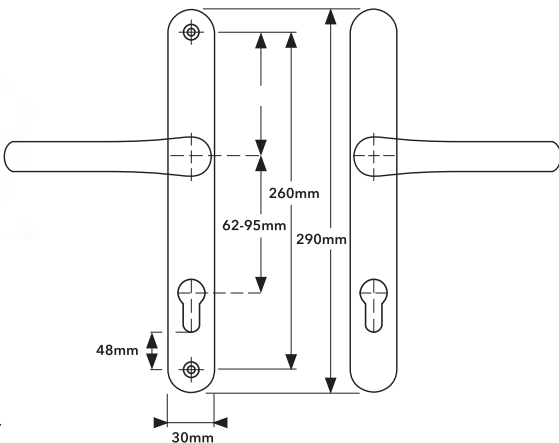
A truly versatile multipoint lock door handle that will replace the majority of existing handles on the market. The levers slide to vary the PZ to suit the lock concerned.

## Why is it Versatile?



## Specification

- Available in white, polished chrome, PVD gold and satin chrome.
- Adjustable between 60mm and 92mm PZ.
- Suits both solid spindle lift lever and split spindle functions.
- Split spindles and spindle converters are available to suit.
- 260mm screw centres means that handles can be fixed above and below most lack cases on the market



SPRUNG



ADJUSTABLE PZ



SPINDLE & SCREWS INSIDE

VERSA PART	Description	Finish	PZ (Centres)	Screw Centres
V-HAN92W	Sprung handle with adjustable PZ	White	62-95mm	260mm
V-HAN92C	Sprung handle with adjustable PZ	Polished Chrome	62-95mm	260mm
V-HAN92S	Sprung handle with adjustable PZ	Satin Chrome	62-95mm	260mm
V-HAN92BL	Sprung handle with adjustable PZ	Black	62-95mm	260mm
V-HAN92B	Sprung handle with adjustable PZ	PVD gold	62-95mm	260mm

**NEW!**

# V-RES Adjustable Concealed Door Restrictor

A door restrictor, which features an adjustable stop position & friction, creating an opening angle between 90° and 125°

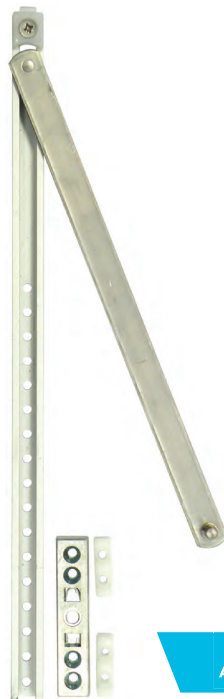
## Specification

- Manufactured in stainless steel for eurogroove fitting
- Supplied without fixing screws
- Suits aluminium, UPVC and timber doors
- Prevents slamming or swinging of the door

## Detailed Specification

- Length: 300mm
- Width: 15mm
- Opening angle: 90° - 125°

VERSA PART	Description	Colour
V-RES125	90° - 125°	Stainless steel



ADJUSTABLE

**NEW!**

# V-SHOOT Shootbolt Kit

A pair of reversible top or bottom shootbolts with keeps to suit the V-MPL range of VERSA Multipoint Locks. Please note that the 16mm version is pictured to the right. The 20mm version is supplied with a pair of flat strike plates.

## Specification

- 20mm Shootbolt throw
- Supplied with keeps

VERSA PART	Faceplate Width	Length
V-MPLSHOOT16	16mm	165mm
V-MPLSHOOT20	20mm	165mm



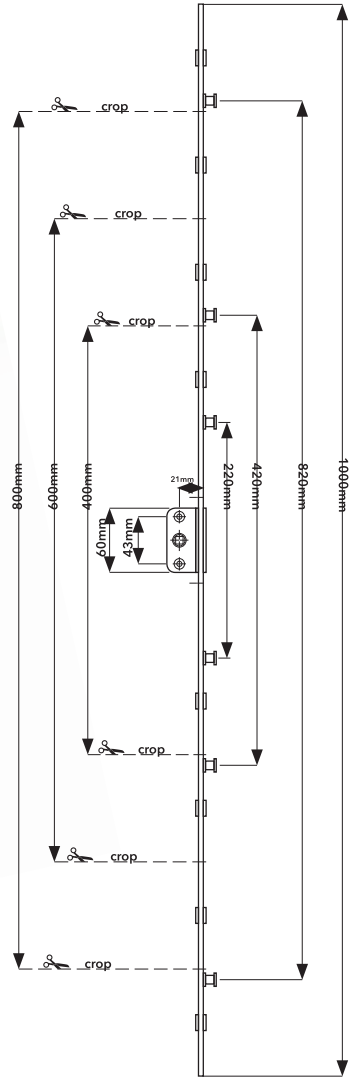
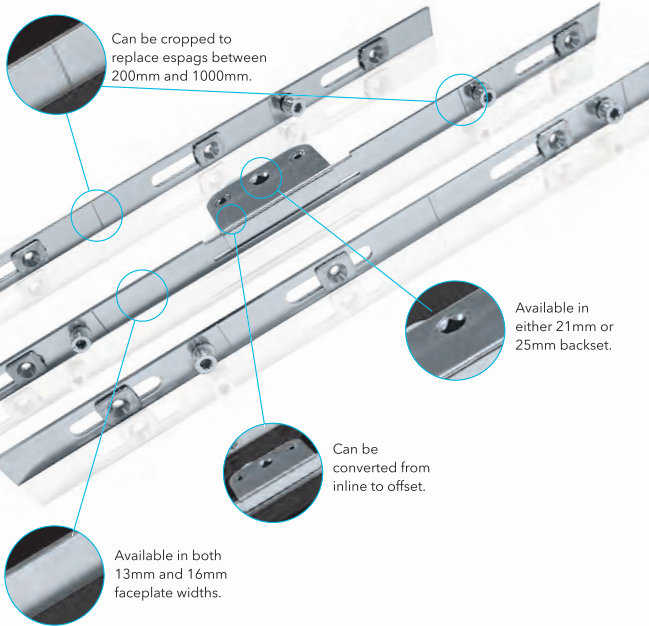
REVERSIBLE



# V-ESPAG Retrofit Window Espag

A unique replacement espag system that will retrofit nearly every window espag on the market with a clever croppable design.

## Why is it Versatile?



## Specification

- Available as either 21mm or 25mm backset.
- Available with either a slim line 13mm faceplate or a standard 16mm faceplate.
- Easily convert to offset from inline by unclipping the packing piece.
- Simply crop to the desired length for quick and easy installation.
- Special fixing tabs allow the plate to move, rather than the rollers.
- Universal keeps are available to suit  
(See accessories page 15 - V-RMSTRIKE)



INLINE/OFFSET



CROPPABLE

VERSA PART	Description	Backset	Max Length	Min Length	Faceplate
V-ESP21	Croppable window espag with up to 6 rollers	21mm	1000mm	400mm	16mm
V-ESP25	Croppable window espag with up to 6 rollers	25mm	1000mm	400mm	16mm
V-ESPSL21	Croppable window espag with up to 6 rollers	21mm	1000mm	400mm	13mm
V-ESPSL25	Croppable window espag with up to 6 rollers	25mm	1000mm	400mm	13mm

# V-WIN Retrofit Window Espag Handle

The V-Win Espag Handle features unique removable spindles that mean that spindles no longer need to be cut down on site. Simply select the correct sized spindle, insert into the back of the handle where it will be held in place by a strong magnet and fit to the window. The V-WIN is the only window handle on the market with magnetic spindle technology.



## Why is it Versatile?



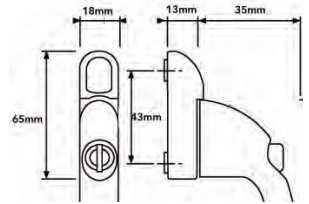
Designed for use with unique easy to change buttons (page 19) to convert between locking, non locking and egress.

Unique patented magnetic interchangeable spindles mean no more cutting is required.

Supplied with croppable screws allowing for retrofitting to a range of window profiles.

- Supplied with 4 spindles, measuring 15mm, 30mm, 43mm and 55mm.
- Supplied with 1 key and quick-cut retaining bolts.
- Also available bulk packed (white only) with spindles supplied separately.
- Built-in 90° stop to prevent excessive force on the espagnolette gearbox.
- Metallised screw covers on all plated versions.
- High quality zinc die cast construction.
- Inline or offset models available in all finishes.
- Croppable screws

## Finishes available:



VERSA PART	Description	Finish	Hand
V-WINW	Window espag handle with 4 spindles (15, 30, 43 and 55mm)	White	Inline
V-WINRW	Offset window espag handle with 4 spindles (15, 30, 43 and 55mm)	White	Right Hand
V-WINLW	Offset window espag handle with 4 spindles (15, 30, 43 and 55mm)	White	Left Hand
V-WINS	Window espag handle with 4 spindles (15, 30, 43 and 55mm)	Satin Chrome	Inline
V-WINRS	Offset window espag handle with 4 spindles (15, 30, 43 and 55mm)	Satin Chrome	Right Hand
V-WINLS	Offset window espag handle with 4 spindles (15, 30, 43 and 55mm)	Satin Chrome	Left Hand
V-WINC	Window espag handle with 4 spindles (15, 30, 43 and 55mm)	Polished Chrome	Inline
V-WINRC	Offset window espag handle with 4 spindles (15, 30, 43 and 55mm)	Polished Chrome	Right Hand
V-WINLC	Offset window espag handle with 4 spindles (15, 30, 43 and 55mm)	Polished Chrome	Left Hand
V-WING	Window espag handle with 4 spindles (15, 30, 43 and 55mm)	PVD gold	Inline
V-WINRG	Offset window espag handle with 4 spindles (15, 30, 43 and 55mm)	PVD gold	Right Hand
V-WINLG	Offset window espag handle with 4 spindles (15, 30, 43 and 55mm)	PVD gold	Left Hand
V-WINBL	Window espag handle with 4 spindles (15, 30, 43 and 55mm)	Black	Inline
V-WINRBL	Offset window espag handle with 4 spindles (15, 30, 43 and 55mm)	Black	Right Hand
V-WINLBL	Offset window espag handle with 4 spindles (15, 30, 43 and 55mm)	Black	Left Hand
V-WINTPW	Trade pack of 20 window handles with no spindles supplied	White	Inline

# V-SPUR Locking Cockspur Handle

**NEW!**

A unique cockspur handle that is supplied with a 9mm step height and a 4mm and 8mm packer piece, allowing step heights of 9mm, 13mm, 17mm or 21mm to be achieved. Features elongated holes on packer pieces to allow existing fixing holes to be reused.



- Supplied with two packers, key and screw cover cap.
- 77mm x 16mm backplate
- Supplied with two packers, key and screw cover cap.



elongated holes on packers to allow existing fixing holes to be re-used.



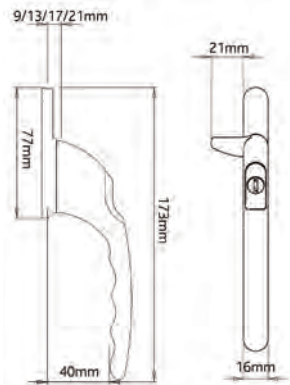
4mm and 8mm packers allow step heights of 9mm, 13mm, 17mm or 21mm to be achieved.

Finishes available:



Black PVD Gold Chrome Satin Chrome White

VERSA PART	Finish	Hand
V-SPURRWH	White	Right
V-SPURLWH	White	Left
V-SPURRCP	Chrome	Right
V-SPURLCP	Chrome	Left
V-SPURRGD	Polished Gold	Right
V-SPURLGD	Polished Gold	Left
V-SPURRBL	Black	Right
V-SPURLBL	Black	Left
V-SPURRSC	Silver	Right
V-SPURLSC	Silver	Left
V-SPURTPW	Trade pack (x20 right hand and x10 left hand)	



# V-BLADE Locking Blade/Fork Drive Handle

The V-Blade locking blade or fork drive handle is a unique handle that features an interchangeable fork or blade drive.

## Specification

- Supplied with 2 bolts and two keys.
- Available in white or satin chrome finish
- Supplied with 2 bolts and two keys.
- 122mm x32mm backplate



## Why is it Versatile?

Interchangeable fork or blade drive



Fork



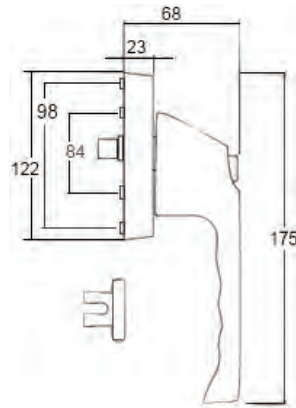
Blade

## Finishes available:



Satin Chrome

White



**FORK/BLADE**

VERSA PART	Blade/Fork Size	Finish
V-BLADEWH	40mm x 14mm/24mm	White
V-BLADESC	40mm x 14mm/24mm	Satin Chrome

# V-WIN Window Key Set

**NEW!**

A 45 piece set of all our most popular window keys. Contents may vary.



**VERSA PART**

V-WINKEYSET

# V-GASKET Gasket Profile Set

**NEW!**

A 40 piece set of the most popular gasket profiles. Contents may vary.

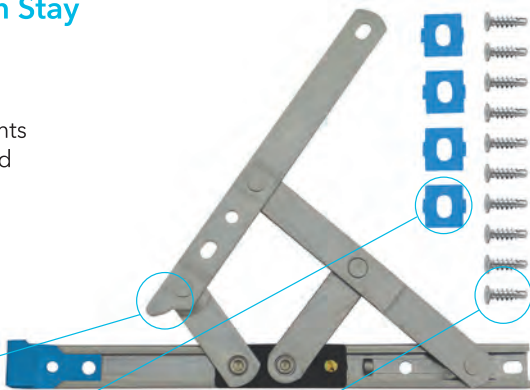


**VERSA PART**

V-GASKET

# V-STAY Standard Friction Stay

A range of friction hinges for either top or side hung windows that can be quickly changed from 13mm to 17mm stack heights and conveniently packaged in non handed pairs with screws and packers.



## Why is it Versatile?



12" and 16" versions suitable for both top and side hung applications.



Packers convert 13mm stack height to 17mm.

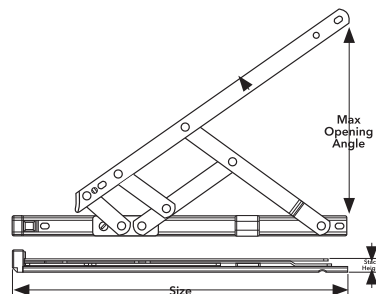


Supplied in pairs with fixing screws.



## Specification

- 12" and 16" versions suit both top and side hung windows.
- All stays are supplied with 4mm packers to convert 13mm stays to a 17mm stack height.
- Supplied with self tapping repair friction stay screws.
- Tested to over 30,000 cycles.
- Manufactured from Ferritic steel.
- Supplied packaged in pairs with packers and screws



13 - 17mm STACK HEIGHT



SCREWS INSIDE



PACKERS INCLUDED



NON HANDED

VERSA PART	Description	Size	Stack Height	Window Width	Window Height	Max Weight	Opening Angle
V-STAY8	Pair of top hung friction stays with packers and screws	8" (209mm)	13mm or 17mm	1200mm	300mm	12kg	62°
V-STAY10	Pair of top hung friction stays with packers and screws	10" (259mm)	13mm or 17mm	1200mm	450mm	16kg	56°
V-STAY12	Pair of top or side hung friction stays with packers and screws	12" (310mm)	13mm or 17mm	1200mm (top hung) 600mm (side hung)	600mm (top hung) 1200mm (side hung)	21kg (top hung) 24kg (side hung)	64°
V-STAY16	Pair of top or side hung friction stays with packers and screws	16" (412mm)	13mm or 17mm	1200mm (top hung) 700mm (side hung)	750mm (top hung) 1300mm (side hung)	22kg (top hung) 26kg (side hung)	51°
V-STAY20	Pair of top hung friction stays with packers and screws	20" (513mm)	13mm or 17mm	1200mm	900mm	24kg	51°
V-STAY24	Pair of top hung friction stays with packers and screws	24" (615mm)	13mm or 17mm	1200mm	1500mm	35kg	35°



# V-STAY Easy Clean Friction Stay

**NEW!**

Featuring stack height adjustable hinges as well as an easy clean/egress function built in. Conveniently packaged in pairs with screws and packers.



## Why is it Versatile?



Suitable for both top and side hung applications.



Packers convert 13mm stack height to 17mm.

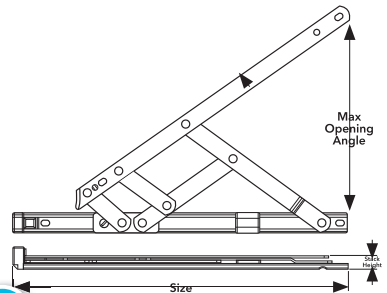


Supplied in pairs with fixing screws.



## Specification

- Easy clean version allows the window to be fully opened for cleaning
- Supplied with 4mm packers to adjust from 13mm to 17mm stack height
- Top or side hung
- Supplied with 4.8 x 25mm repair screws
- Packaged in pairs



13 - 17mm STACK HEIGHT



SCREWS INSIDE



PACKERS INCLUDED



NON HANDED



EASY CLEAN

VERSA PART	Description	Size	Stack Height	Window Width	Window Height	Max Weight	Opening Angle
V-EGECSTAY12	Pair of top/side hung friction stays with packers and screws	12" (310mm)	13mm or 17mm	1200mm (top hung) 600mm (side hung)	600mm (top hung) 1200mm (side hung)	21kg (top hung) 24kg (side hung)	85°
V-EGECSTAY16	Pair of top/side hung friction stays with packers and screws	16" (412mm)	13mm or 17mm	1200mm (top hung) 700mm (side hung)	750mm (top hung) 1300mm (side hung)	22kg (top hung) 26kg (side hung)	85°

## Universal Latch & Deadbolt Strike

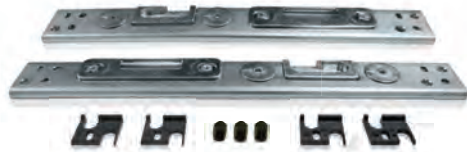


Universal latch and deadbolt strike designed to work with all major multipoint lock brands regardless of the door profile.

VERSA PART	Part Description
V-CENSTRIKE	Single latch and deadbolt keep

- Special packers allow the keep to suit a range of different PVCu profiles.
- Supplied with packers and grub screws.

## Universal Hook & Roller Keeps



A pair of universal hook and roller keeps designed to work with a huge range of MPLs regardless of the door profile.

VERSA PART	Part Description
V-HRSTRIKE	Pair of hook and roller keeps

- Special packers allow the keep to suit a range of different PVCu profiles.
- Supplied with packers and grub screws.
- Supplied as a non handed pair of keeps.

## Universal Hook Keeps



A pair of universal hook keeps designed to work with a huge range of MPLs regardless of the door profile.

VERSA PART	Part Description
V-HSTRIKE	Pair of hook keeps

- Special packers allow the keep to suit a range of different PVCu profiles.
- Supplied with packers and grub screws.
- Supplied as a non handed pair of keeps.

## Split Spindles



Split spindle designed to allow the V-MPL to work with a nightlatch function.

VERSA Part	Part Description
V-SPLITSPIN	8mm x 130mm split spindle

- 8mm diameter.
- 130mm long.

## Replacement Door Handle Fixing Kit



A replacement handle fixing kit to replace missing spindles and screws.

VERSA PART	Part Description	Finish
V-FIXKITW	x2 screws and 8mm spindle	White
V-FIXKITG	x2 screws and 8mm spindle	Gold
V-FIXKITS	x2 screws and 8mm spindle	Silver

- Supplied as a pair of screws and one spindle.

## Spindle Sleeves



A sleeve used to increase the thickness of a spindle.

VERSA PART	Part Description
SPINDLESLEEVE58	5-8mm convertor
SPINSLEEVE	7-8mm convertor
SPINSLEEVE9	8-9mm convertor
SPINSLEEVE10	8-10mm convertor

- Available in a variety of sizes



## Universal Window Handle Spindles

Replacement window handle spindles designed to suit the V-WIN available in a range of lengths.



- Spindles are magnetic to suit the V-WIN.

VERSA PART	Part Description
V-SPIN10	Pack of 20 10mm spindles
V-SPIN15	Pack of 20 15mm spindles
V-SPIN20	Pack of 20 20mm spindles
V-SPIN30	Pack of 20 30mm spindles
V-SPIN43	Pack of 20 43mm spindles
V-SPIN55	Pack of 20 55mm spindles

## Replacement Window Handle Buttons

Replacement buttons to suit the V-WIN that allow quick conversion to non locking, egress and black buttons.



- Buttons can be changed in less than 10 seconds by unclipping from the inside of the handle

VERSA PART	Part Description
V-WBUTNLW	Non locking white button insert
V-WBUTNLG	Non locking egress green button insert
V-WBUTLBL	Locking black button insert
V-WBUTLW	Locking white button insert

## Universal Roller or Mushroom Keep

A unique keep that can be used for either mushrooms or rollers.



- Length: 65mm
- Width: 18mm
- Fixing centres: 53mm
- Size of keep: 40mm x 18mm

VERSA PART	Part Description
V-RMSTRIKE	Pair of Roller/Mushroom Keeps

## Replacement Window Handle Bolts

Replacement bolts for window handles featuring notches for easy cutting.



VERSA PART	Part Description
V-WINFIX	Pack of 20 window bolts

## Replacement Window Key

Replacement window keys to suit the V-WIN range of window handles.



VERSA PART	Part Description
V-WINKEY	Window key

- Keys are pre-cut and are not specific to individual handles.

## PVCU Repair Screws

Box of PVCU repair screws.



- Diameter: 4.8mm
- Length: 25mm

VERSA PART	Part Description
SFS25	Box of 50 screws
SFS251000	Box of 1000 screws

## Replacement 4mm Packers

Replacement 4mm packers to convert 13mm friction hinges to 17mm stack height.



- Supplied in a bag of 20 packers.

VERSA Part	Part Description
V-FSPACK	Pack of 20 4mm packers

# Notes

# Notes

# VERSA

SECURITY HARDWARE

SECURITY HARDWARE



KEYPRINT®  
SECURITY LTD

45 Assembly Street Edinburgh EH6 7BQ

**Tel: 0131 555 0909** Fax: 0131 554 1177

Email: [sales@keyprint.co.uk](mailto:sales@keyprint.co.uk)

**Website: [www.keyprint.co.uk](http://www.keyprint.co.uk)**