

UNION CE RANGE

Fixed Size 3 Rack & Pinion Door Closer

Introducing the new CE3F fixed size 3 rack and pinion door closer. The only door closer in its class to be CE Marked in all 3 positions for timber and metal fire doors.



APPLICATION:

- **10 year guarantee** – remarkably robust yet provides incredible value for money.
- **Everything included** – supplied with all components required to install safely in all three mounting positions.
- **Easy to install:**
 - Quick and easy fitting process with specific template for each mounting position, to prevent mistakes.
 - Uses same footprint and fixing dimensions as most popular UK door designs – can be easily retro fitted with minimum effect.
 - Non-handed design which provides flexibility – reducing the amount of parts stocked.
- **Easy to adjust** – adjustable arm allows the CE3F to be easily installed and adjusted in multiple applications.
- **Easy to set up** – side mounted door speed and latch controls for convenient access – allowing easy and accurate set up of the door opening and closing.
- Individual installation videos available.



SPECIFICATION:

- Fixed size 3 rack and pinion door closer. Maximum door width 950mm EN size 3.
- 130° maximum angle of opening (controlled closing).
- Adjustable closing speed from 130° open to 15° open.
- Adjustable latch action for final 15°.
- Adjustable arm set for regular, transom and parallel arm installation.
- Additional bracket included for parallel arm mounting.

FINISH:

- Silver finish, which allows it to blend in with any application where other traditional door closers are installed.

STANDARDS:

- CE Marked to EN 1154 in all 3 mounting positions. 3 8 3 1 1 3
- Fire rated for timber (FD120) and metal (FD240) fire doors
- Certifire approved.



| Product | Code |
|--|--------------|
| Fixed Size 3 Rack & Pinion Door Closer | UNJ-CE3F-SIL |

UNION CE RANGE

Fixed Size 3 Rack & Pinion Door Closer



- Fixed size 3 rack and pinion door closer.

| EN 1154 Size | Max Door Width | Max Door Weight |
|--------------|----------------|-----------------|
| 1 | 750mm | 20kg |
| 2 | 850mm | 40kg |
| 3 | 950mm | 60kg |
| 4 | 1100mm | 80kg |
| 5 | 1250mm | 100kg |
| 6 | 1400mm | 120kg |

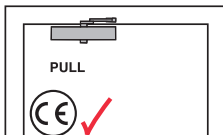
Maximum door width 950mm EN Size 3



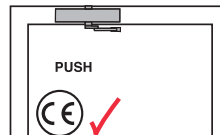
- CE Marked to EN 1154 in all 3 positions



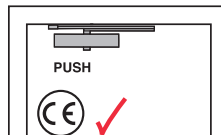
Regular (Fig. 1)



Transom (Fig. 61)



Parallel (Fig. 66)



- Fire rated for timber (FD120) and metal (FD240) fire doors



- Certifire approved



- 10 year guarantee for peace of mind



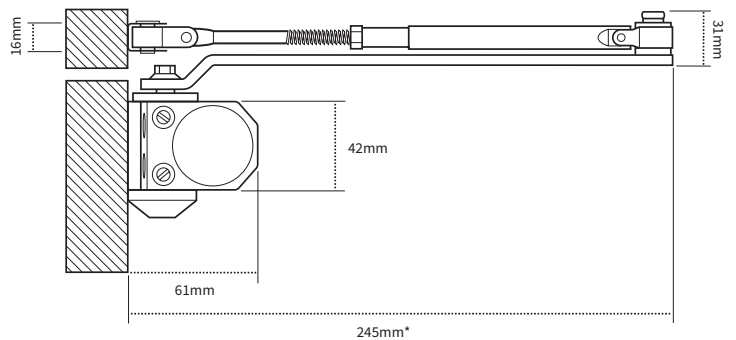
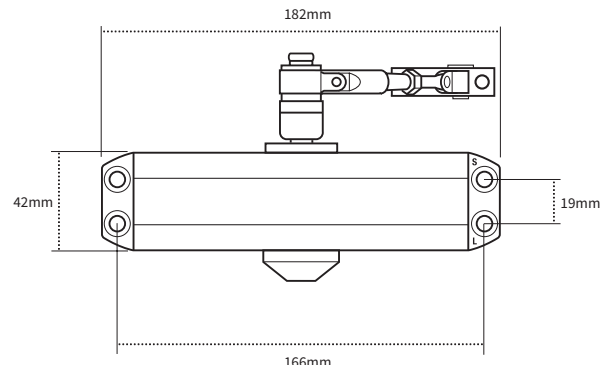
- 130° maximum angle of opening (controlled closing)

- Adjustable closing speed from 130° open to 15° open

- Adjustable latch action for final 15°

- Adjustable arm set for regular, transom and parallel arm installation

- Additional bracket included for parallel arm mounting



*Projection will vary as frame depth changes from flush frame shown

137A-UNION-CE3F-DOOR-CLOSER-280417