



PATENTED 6-PIN
SECURITY CYLINDERS



The technically superior
cylinder Patented until 2032

ESLA Technik Pro Patented Cylinders

The cylinder system that ticks **all** the right boxes



Esla Technik Pro Series has been tested to achieve the highest **British Standard Kitemark** grades.



Perfect for **you**.

Perfect for **your customers**.



Secure

Rigorously tested against the most common forms of attack, the Esla Technik Pro Series meets the highest British Standard Kitemark TS007 security standards. Boasting extra robust pins, anti-drill steel security elements and a snap-resistant core, **you** will offer your customers ultimate peace of mind.



Patented

Esla Technik Pro allows your customers to be always in control of who has access to their doors as cylinders come with security cards for proof of ownership. With a patented key profile, unauthorised copying of keys is virtually impossible. A blocking pin verifies the presence of the patented branch groove in the key and, if not detected, the key won't turn.



Versatile

You can get the ESLA Technik Pro in Euro & Oval Single, double, single thumb turn, padlocks, cam locks, Scandinavian, Norwegian and Banham cylinders with 6 pins. You can also use all types of mechanical locks enabling you to create truly integrated master key systems.

Patent protection until 2032



Patent protection to 2032

Since copyright protection on keys was abolished in 1999, it is now possible for anybody to produce and sell most types of keys. **The only systems that can truly protect against illegal key blank duplications are patented key systems.** Manufacturers are able to take legal action against any authorised third parties who distribute copies of patented keys without permission. The new **ESLA Technik Pro** series is patent protected until 2032 thus ensuring the highest possible levels of security and patent protection for all.



The advantages of a patented system

The Esla Technik Pro Series couples its outstanding mechanical security with a patented key system that guarantees unbeatable protection to your customers.

Not only is Esla Technik Pro designed to resist all the most common forms of attack, but it also protects them against any risk of stolen keys.

With a patented key profile and security cards for proof of ownership, unauthorised copying of keys is virtually impossible. A blocking pin verifies the presence of the patented branch groove in the key and, if not detected, the key won't turn.

With Esla Technik Pro patented system, your customers will be always in control of who owns keys to their locks and doors. That means you will offer the ultimate control they need to feel secure within their homes and business premises.

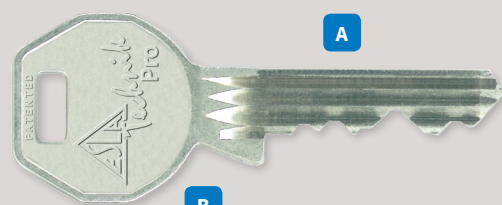


Security key profile

Extra patent protection

The **ESLA Technik Pro** system is protected by the following patents:

- European patent EP 1 362 153.

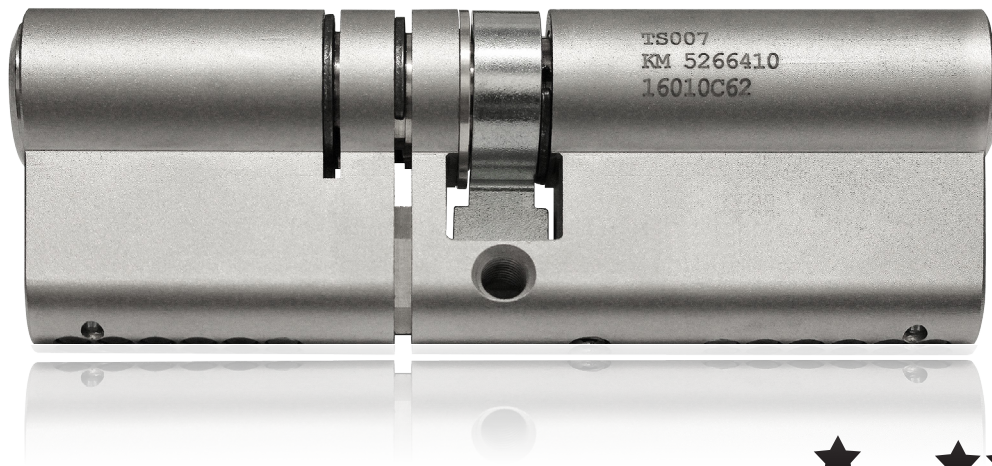


A Key profile with patented technology which prevents unauthorised key duplication.

B Key blanks carry a lifetime warranty.

ESLA Technik Pro Patented Cylinders

Impressive Security Standards



Anti-drill

Extra-robust steel security elements in the cylinder housing and barrel provide anti-drilling protection.

Anti-bump

If an intruder tries to attack the cylinder, a blocking pin is pushed into the key profile by a housing pin and blocks the key from turning.

Anti-pick

Overlapping key profile and special tumbler pins protect the cylinder against picking.





Anti-snap



A double sacrificial break slot makes sure that, in the event of the cylinder being snapped, the lock will retain its security core within the door so that intruders won't be able to attack your cylinder.






 

ESLA Technik Pro
6-Pin Patented
Cylinders (2032)

★ ★ ★

FEATURES:

- PICK RESISTANT, ANTI-BUMP, ANTI-DRILL.
- ANTI-SNAP PROTECTION.
- BS KITEMARK TS007 3-STAR GRADE.
- TESTED TO EN1303 2005.
- PATENT KEY SECTION 2032, 6 PIN KEY SYSTEM.

ANTI SNAP ANTI DRILL ANTI BUMP ANTI PICK

ESLA Technik Pro
6 Pin Patented
Cylinders (2032)

★

FEATURES:

- PICK RESISTANT, ANTI-BUMP, ANTI-DRILL.
- PATENT KEY SECTION 2032, 6 PIN KEY SYSTEM.
- TESTED TO EN1303 2005.

ANTI DRILL ANTI BUMP ANTI PICK

Cylinder Functions



ESLA Technik Pro features a sophisticated, patented key profile. Duplicate keys cannot be made using commercial key milling machines.

Anti-Barricade function

In some circumstances, such as secure institutions, care homes and psychiatric facilities it is desirable to prevent the inside thumbturn on the cylinder being used to hold the deadbolt in the locked position, preventing access by key from outside.

To prevent this the **ESLA Technik Pro** series is available with a clutch mechanism which isolates the thumbturn from the keyway so that in an emergency the key will override the thumbturn if it is being held.

Classroom function

If a teacher needs to leave a room full of pupils for a short while, they can lock the door from the outside to prevent unauthorised personnel from entering whilst being reassured the door can always be opened from the inside, even when locked. The cylinder however, can never be locked internally, making it ideal for classroom applications.



Construction keying

During the construction process it is normal practice for the contractors to have control of the keys to each cylinder being fitted to the building. This compromises security as keys can be lost or stolen.

With Construction keying a special pin is incorporated into the cylinder which allows a single 'Construction key' to be issued to the contractors so they can gain full access during the construction period.

All the normal system keys are held until the point of hand-over to the customer/building owner. Any key from the system, when inserted into each cylinder and rotated, will release the special pin in the cylinder which renders the construction key inoperative and allows only the authorised keys to pass.

Master keying

Master keying is the organisation of a keyed locking system where a hierarchy of access is produced. As the level of authority rises, so the ability to access cylinders in the system increases until access to all the cylinders in a system is available via a single Grand Master key (see overleaf for further information). The master key system can comprise any combination of the cylinder types available within the **ESLA Technik Pro** series.

ESLA Technik Pro makes it possible to define access for private homes, companies or public buildings. The customer decides who has access with which key and where.

Keyprint Security Ltd and authorised centres can provide professional advice and consultation.

Easy to retrofit

You won't need any additional preparation to fit an Esla Technik Pro cylinder and upgrade your customer's door security.

ESLA Technik Pro Patented Cylinders

Ideal for Master Key Plans

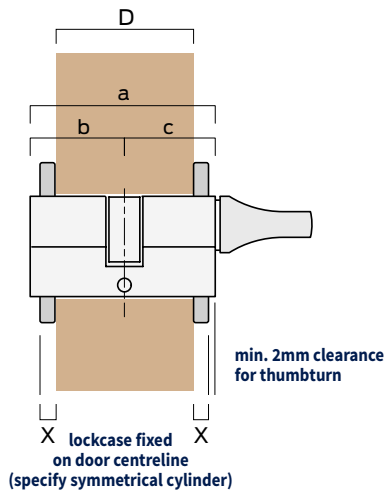
Cylinder lengths

Selecting the correct length of cylinder (euro profile and oval profile) is important not only for visual appearance when fitted, but to reduce the security risk from someone forcibly twisting the cylinder with a wrench and snapping it.

The overall length of the cylinder should be just larger than the combined thickness of the door (D) and the backplates or escutcheons which are being used (X).

Note, when a thumbturn is being used a minimum 2mm clearance is recommended from the face of the cylinder to the face of the escutcheon or backplate.

When an offset cylinder is required in the door i.e. b + c below are not the same size, each side of the cylinder needs to be measured independently.



ESLA Technik Pro - Master keyed systems

With a **super-wide range** that spans from Euro double cylinders to cam locks, from Norwegian cylinders to padlocks, **ESLA Technik Pro** is ideal to create master key plans that allow your customers to securely manage access to their home and business premises.

A multi-profile system capable of thousands of cylinder combinations, with Esla technik Pro you can design master key systems which can vary in complexity depending on their applications and can involve one or many levels of master keys.

Technik Pro is capable of producing a simple master keyed system up to a larger, more complex multi-level system (Great Grand Master, Grand Master, Master, Sub Master etc). The system can be designed to allow for future expansion using multi-level profiles.

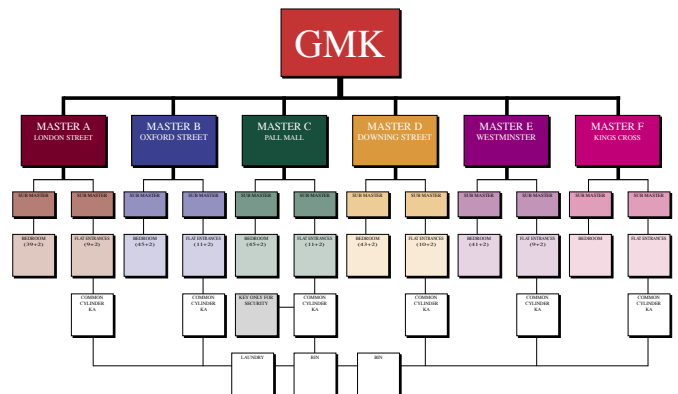
The **ESLA Technik Pro** system has enormous capabilities and can accommodate various applications, from a single apartment block to more complex applications like airports, schools, hospitals, universities, football stadiums, commercial buildings etc.

Example 1

An apartment block can be set up so that each occupant has a key which passes a main entrance and their own apartment door. Other communal areas such as bin stores and laundry can be opened using the same key if required.

Example 2 (See Diagram Below)

A more complex example could be a commercial application where individual departments might be controlled by sub master keys. The master keys and grand master keys above them, would only be issued to the security officer, the managing director and/or company secretary.



Cylinder Range (standard order)

● 1-star rate available ● 3-star rate available

EXT - External side with anti-snap feature

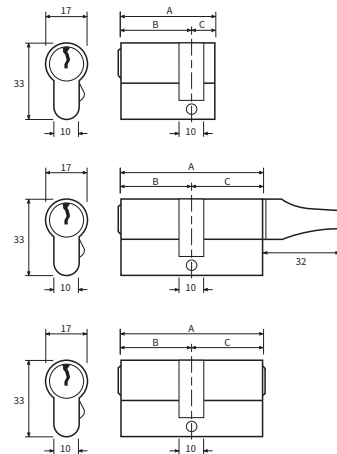
		A (B/C)		A (B/C)
Euro Single	●	40 (30/10)	Euro Single & Turn Offset	● ● 75 (35/40T)
Euro Single	●	45 (35/10)	Euro Single & Turn Offset	● ● 75 (40/35T)
Euro Single	●	50 (40/10)	Euro Single & Turn Offset	● ● 80 (35/45T)
Euro Single	●	55 (45/10)	Euro Single & Turn Offset	● ● 80 (45/35T)
Euro Single	●	75 (65/10)	Euro Single & Turn Offset	● ● 85 (40/45T)
Euro Single	●		Euro Single & Turn Offset	● ● 85 (45/40T)
Euro Double	●	60 (30/30)	Oval Single	● 40 (30/10)
Euro Double	● ●	70 (35/35)	Oval Single	● 45 (35/10)
Euro Double	● ●	80 (40/40)	Oval Double	● 60 (30/30)
Euro Double	● ●	90 (45/45)	Oval Double	● 70 (35/35)
Euro Double	● ●	100 (50/50)	Oval Double	● 80 (40/40)
Euro Double Offset	●	65 (30/35)	Oval Single & Turn	● 60 (30/30T)
Euro Double Offset	●	70 (30/40)	Oval Single & Turn	● 70 (35/35T)
Euro Double Offset	●	75 (30/45)	Oval Single & Turn	● 80 (40/40T)
Euro Double Offset	●	75 (35/40)	Scandinavian Oval	● EXT
Euro Double Offset	● ●	75 (EXT 40/35)	Scandinavian Oval	● INT
Euro Double Offset	●	80 (30/50)	Banham Cylinder	● 70 (35/35)
Euro Double Offset	●	80 (35/45)	Banham Cylinder	● 105 (35/70)
Euro Double Offset	● ●	80 (EXT45/35)	Norwegian Scandinavian	●
Euro Double Offset	●	85 (40/45)	Norwegian Euro	●
Euro Double Offset	●	85 (30/55)	Rim Cylinder	●
Euro Double Offset	●	85 (35/50)	Rim Mortice - Single	●
Euro Double Offset	● ●	85 (EXT45/40)	Cam Lock	●
Euro Double Offset	● ●	85 (EXT50/35)	Padlock 50mm Open Shackle	● Type A
Euro Double Offset	● ●	85 (EXT50/35)	Padlock 65mm Open Shackle	● Type A
Euro Double Offset	●	90 (35/55)	Padlock 50mm Close Shackle	● Type B
Euro Double Offset	●	90 (40/50)	Padlock 65mm Close Shackle	● Type B
Euro Double Offset	● ●	90 (EXT55/35)	Padlock 50mm Open Shackle 30mm	● Type C
Euro Double Offset	● ●	90 (EXT50/40)	Padlock 50mm Open Shackle 50mm	● Type C
Euro Double Offset	●	95 (40/55)		
Euro Double Offset	● ●	95 (EXT50/45)		
Euro Double Offset	●	95 (45/50)		
Euro Double Offset	●	100 (45/55)		
Euro Double Offset	●	100 (40/60)		
Euro Double Offset	● ●	100 (EXT60/40)		
Euro Single & Turn	● ●	60 (30/30T)		
Euro Single & Turn	● ●	70 (35/35T)		
Euro Single & Turn	● ●	80 (40/40T)		
Euro Single & Turn	● ●	90 (45/45T)		

Other sizes available for special order.

FINISHES:

- Satin Chrome Plated (standard)
- Satin Brass Plated (standard)
- Polished Brass (special order)
- Polished Chrome (special order)
- Bronze (special order)

Euro Profile

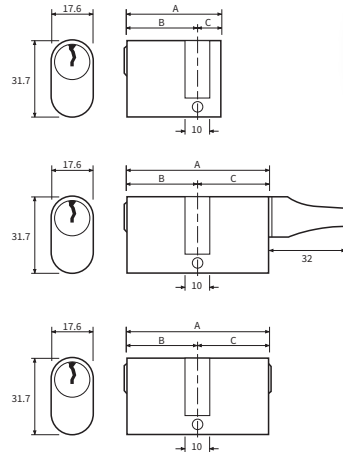


Euro Padlocks

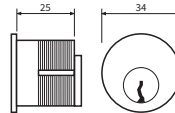


Can be used with any Euro Style Padlock Please ask

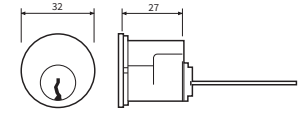
Oval Profile



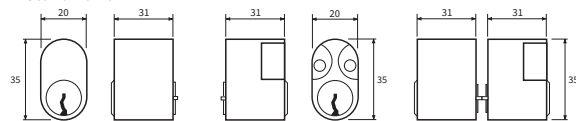
Rim Mortice



Rim Cylinder



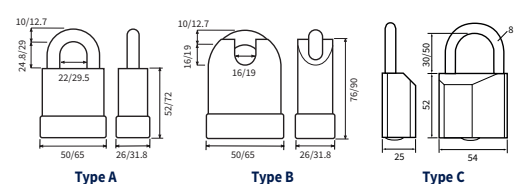
Scandinavian



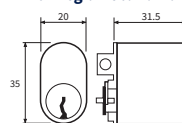
Cam Lock



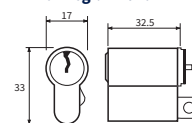
Padlocks



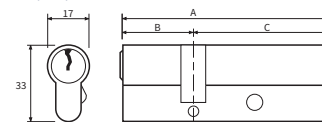
Norwegian Scandinavian



Norwegian Euro



Banham



Choose Technik Pro and build the steady cash flow you need to fuel your business growth.

- Gain returning customers and repeat key business on every cylinder sales without additional effort on your side.
- With your company details coined on your key blanks, your customers will always see your business.
- You will keep your customers coming back. Your customers will keep coming back to you every time they need a new key and you will benefit from extra profit.

Do you want to become a Technik Pro centre and grow your business? Call us on 0131 555 555 or email sales@keyprint.co.uk.



KEYPRINT® SECURITY LTD

Keyprint Security Limited
45 Assembly Street
EH6 7BQ Edinburgh
www.keyprint.co.uk
+44 (0)131 555 0909
sales@keyprint.co.uk

Distributors:

