

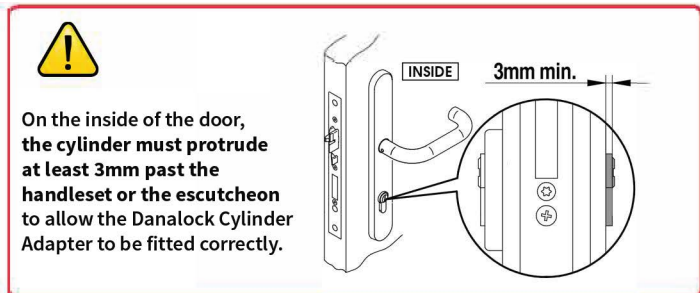
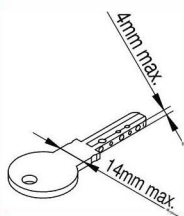
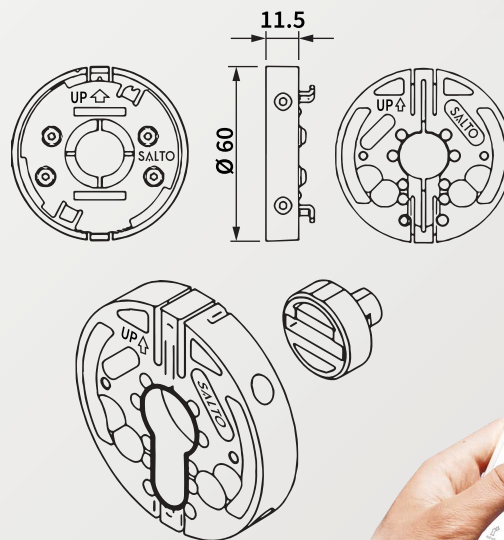
EURO CYLINDER ADAPTOR

The Danalock Smart Lock Adaptor for euro profile cylinders has been designed to fit the Danalock v3 electronic lock in combination with double clutch mechanical cylinders. This avoids the need to use the special Danalock cylinders to fit the lock to the door.

It allows you to use the cylinder that your customer already has on their door, or a cylinder of your choice - depending on the installation requirements. If you use the existing mechanical cylinders, you can preserve any master key or keyed alike systems that your customers might have.

Overview:

- It allows you to use an existing double clutch mechanical cylinder to fit Danalock v3 without the need to use the special Danalock cylinders.
- Easy to install.
- Compatible with all Euro double profile cylinders.*
- Requires the amendment of the cylinder key.
- Cylinder has to have a minimum 3mm protrusion for the adaptor to work.

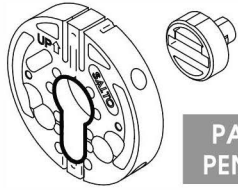


*Subject to the fitting instructions.

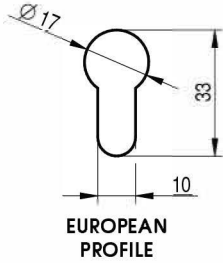
SEE OVERLEAF FOR FULL INSTALLATION DETAILS

Danalock Cylinder Adaptor Installation Guide

DCSLAE series



PATENT
PENDING

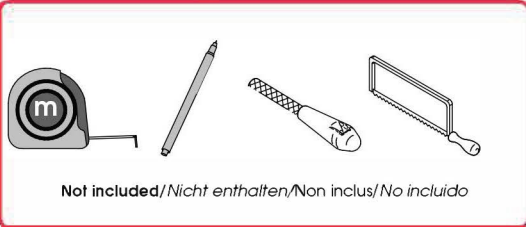


EUROPEAN
PROFILE

TOOLS REQUIRED



TX10

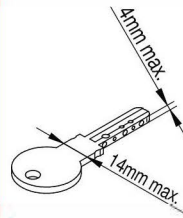


Not included / Nicht enthalten / Non inclus / No incluido



Not necessary!
Nicht nötig!
Pas nécessaire!
No necesario!

Only for Double clutch cylinders.
Zylinder mit Gefahrenfunktion.
Uniquement pour cylindres avec
Panneau débrayable.
Solo para cilindros doble
embrague.



1
On the inside of the door,
the cylinder must protrude
at least 3mm past the
handle or the escutcheon
to allow the Danalock Cylinder
Adaptor to be fitted correctly.

2

3

OUTSIDE INSIDE

3a

3b

3c

6 ± 7 mm

4

5

5a

5b

Push!

Push!

6

7

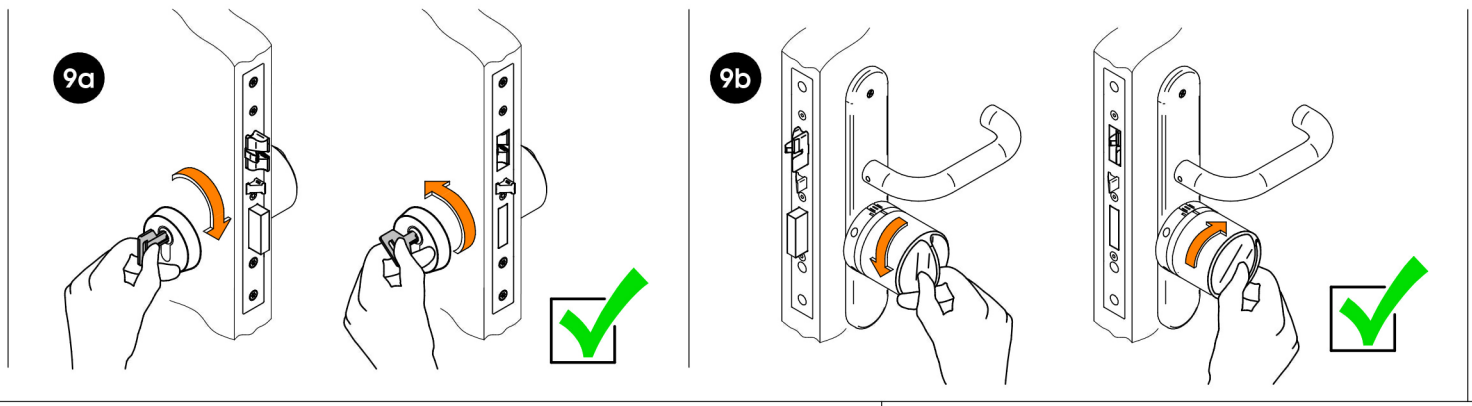
8

8a

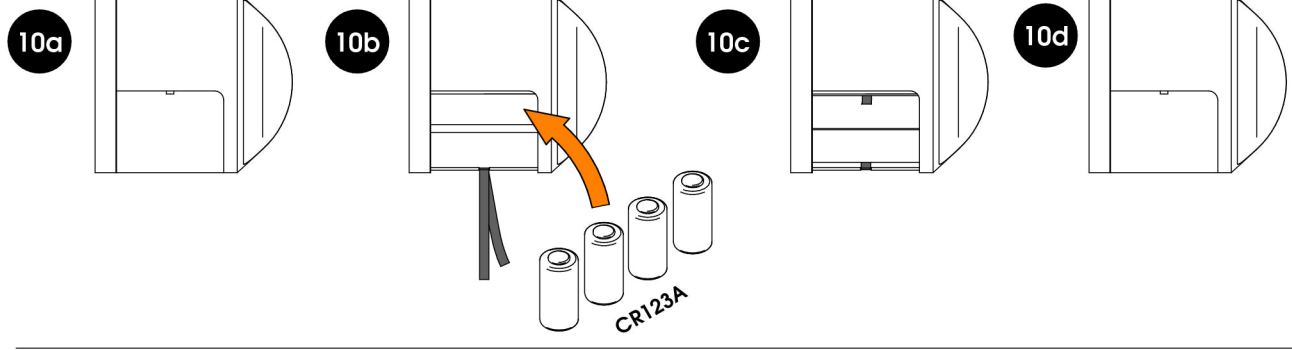
8b

click!

9



10



11



45 Assembly Street Edinburgh EH6 7BQ
Tel: 0131 555 0909 Fax: 0131 554 1177
 Email: sales@keyprint.co.uk
Website: www.keyprint.co.uk