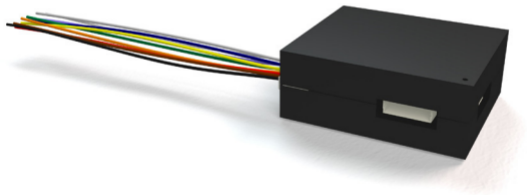


Universal Module V3

User guide



Contents

Product information	page	3
Technical specifications	page	4
Wiring diagram	page	5
Wiring diagram		
Door strike / Magnetic door lock	page	6
Installation	page	7
Setup	page	8-9
Remote access/Integration	page	10



Product information

The Danalock Universal module is a device for controlling all 12-24V powered commercially available locking mechanisms; door strikes, electromechanical or magnetic locks, gates etc.

The module works in parallel with what is already installed or in any new installation.

The module has two relay outputs and one power output. The relays or the power-output can be controlled remotely with the Danalock app via Android (from version 4.4.4) and iOS (from iOS 9.0 and iPhone 4S) smartphones. The relay is both Bluetooth Low Energy 4.0 and/or Z-Wave driven.

Relay mode

The two relays can be operated either parallel or separately. The relays are working for a desired time (1-180 sec.) or permanent when activated. The activation for the relays can be delayed for relay 2 after activating relay 1. The two relays can be setup individually for permanent activation or for a desired time.

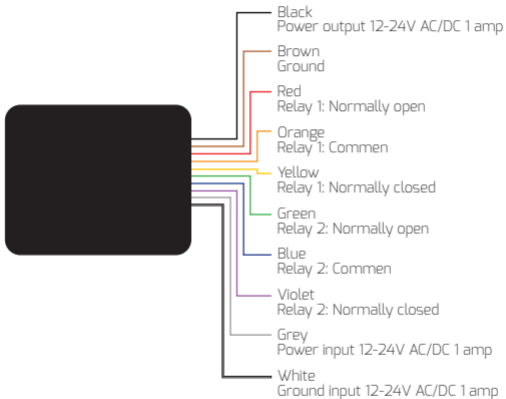


Technical specifications

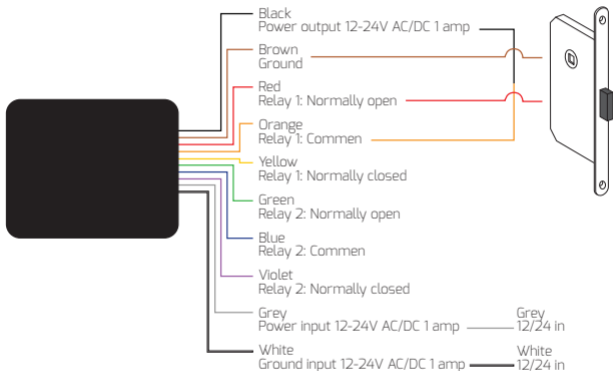
Operating voltage range	12-24V DC, 12-24V AC
Max input (at 24V)	100mA
Number of relays	2
Type of relays	Potential-free contacts (NO/NC)
Max AC power	1A at 12V
Max AC current	1A at 12V
Max relay voltage	48 V
Wireless communication	Bluetooth 4.0 LE/Z-Wave Plus (optional)
Bluetooth range	5-10 meters



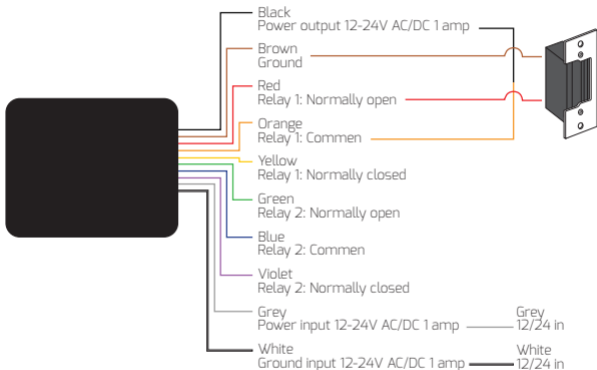
Wiring diagram



Wiring diagram - Magnetic door lock



Wiring diagram - Door strike



Installation

1. Mounting instruction

Connect the Universal Module to the relevant motor drive while considering the wiring diagram.

Note!

Please make sure to connect the Universal Module to a smartphone during installation. As soon as you are registered as owner, no one else is able to control the door/gate, and it is only you who can grant other users access.

2. Connect to the smartphone

To connect the Module to a smartphone, please follow the Danalock App User Guide on:

https://danalock.com/?page_id=2894

When installing the Module you will be asked to set the Relay time. In the User guide for the motorized door lock you will find the recommended time (pulse = 1sec). Per default, the Universal Module will switch off after 1 sec.

Note!

The Relay time can be changed under settings at any time.



User Guide

You find the updated version of the Danalock App User Guide under:

https://danalock.com/?page_id=2894

Among other things, the guide will show you how to share access. If you like to change owner/administrator of the Module, you have to delete the Module from the app before connecting it to a new owner.

Note!

Please only delete the Module from the keychain when in Bluetooth range of the Module. If you are not in Bluetooth range, you will have to reset (see "Touch button commands") it by pressing the button on the Module. If the Module is a built-in solution, a reset can cause additional charges from eg. a locksmith.



Touch button commands

You find the gold-colored touch button in one corner of the circuit board. One short press switches the Relay off. Holding down/pressing the touch button will trigger the following commands:

1 flash switches the relays off.

2 flashes puts the Module in Z-Wave inclusion mode.

5 flashes resets the key.

10 flashes means a factory reset of all key and relay settings.

