

Emergency Exit Hardware

1438
1438M

Introduction

The Briton 1438 push pad emergency exit device with single point rim latch is suitable for single doors up to 1300mm wide making them an ideal solution for offices, factories and flats. Products conforming to EN 179 are only intended for use by personnel who are fully aware of escape routes and have been trained to operate these devices.

IMPORTANT NOTE:

**If you are in any doubt at all,
ALWAYS use products that conform
to EN 1125.**

Features & Functions

- Pad operated rim latch with single point latching
- Designed to satisfy emergency exit applications
- Tested in excess of 200,000 cycles
- Suitable for single doors and rebated double doors in combination with Briton 372 vertical bolt device and double door strike
- Two-point locking for extra security
- Site reversible for left or right hand
- All versions supplied with fixings and self-adhesive "Push to Open" signage



Certification

CE Marked to EN 179 (2812-CPR-ABB020)

UKCA Marked to EN 179 (1121-CPR-UK-ABB7573)

Fire tested to EN 1634-1 for use on fire doors up to 2hr timber / 4hr steel

Certifire Approved (CF5506)

Environmental Product Declaration in accordance with ISO 14025 and EN 15803

DoP available at www.britondops.co.uk

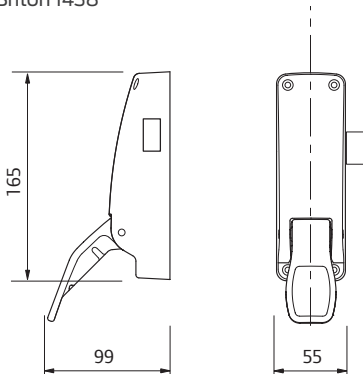
Emergency Exit Rim Latch Briton 1438

Product features	Product references	
	1438	1438M
CE marked	■	■
Panic exit device to EN 1125		
Emergency exit device to EN 179	■	■
Device type	Push pad	Push pad
Locking points	Single point rim latch	Single point rim latch
Suitable for timber or metal doors	Timber	Metal
Suitable for single doors	■	■
Suitable for double door combinations	✱	✱
Min. / Max. door width (per leaf)	n/a	n/a
Push bar cut on site	n/a	n/a
Site reversible	■	■
Alarm activation		
Dogged hold-open facility		
Finishes available	SE, SS*, PB*, PS*	SE, SS*, PB*, PS*
CE Classification	376B1342BA	376B1342BA

■ Standard □ Available as an option/variant

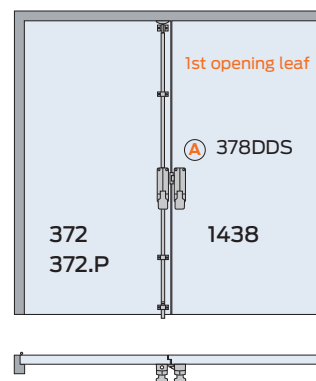
✱ Used in combination with Briton 372 vertical bolt device and double door strike on rebated double doors where the 1438 device is fitted to the first opening leaf.

Briton 1438



All dimensions are in mm

Rebated double doors



Part No.	Part No.
Briton 372	Briton 1438
	Briton 378DDS

Finishes

Available in sprayed silver and PVD plated finishes.



* PVD plated finishes