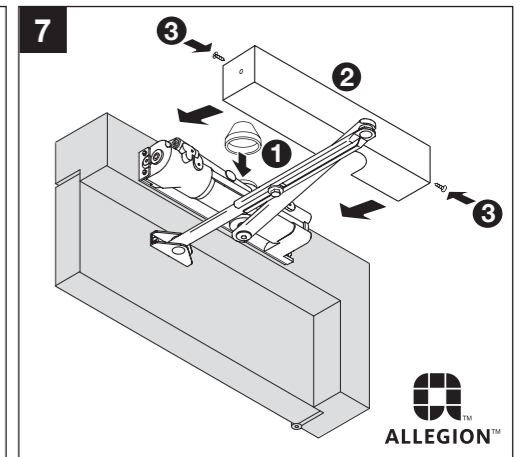
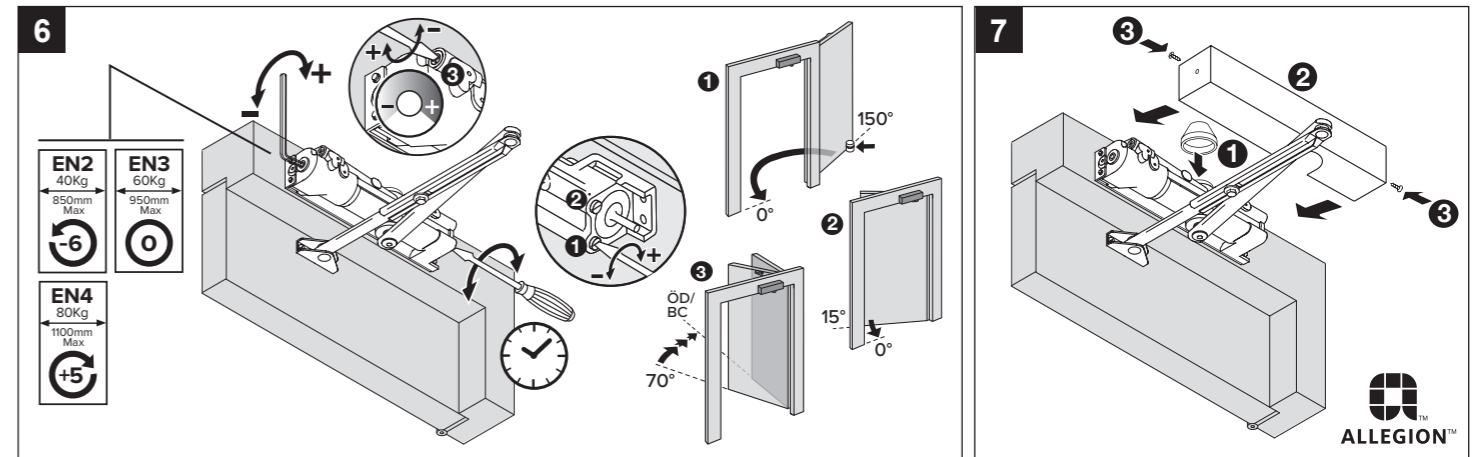
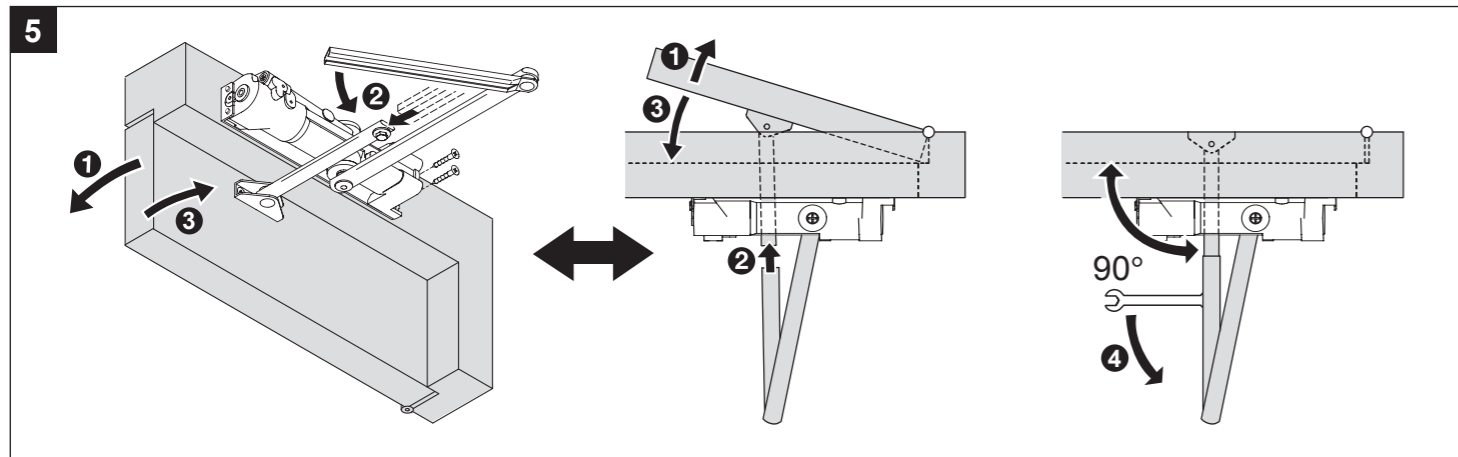
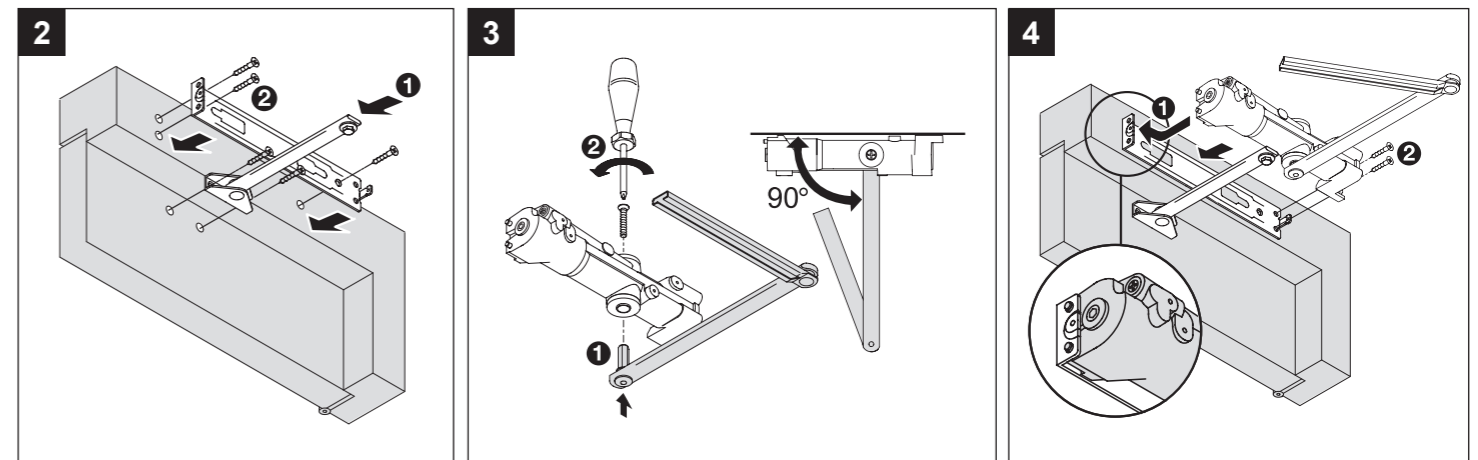
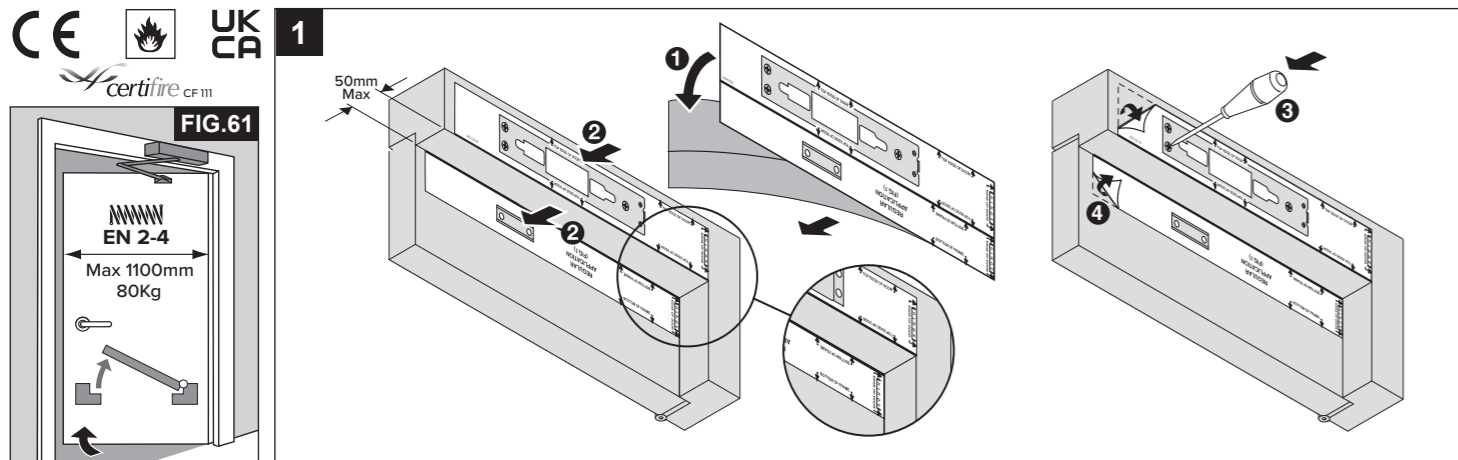
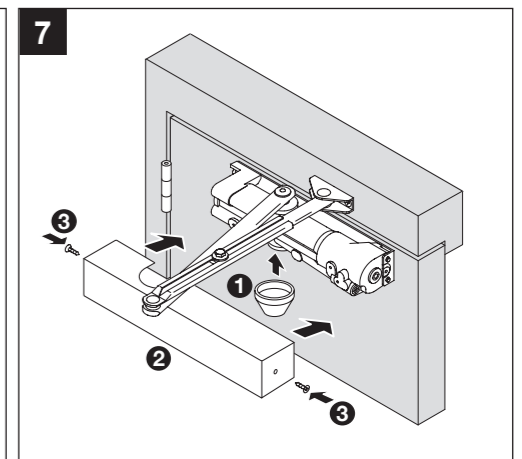
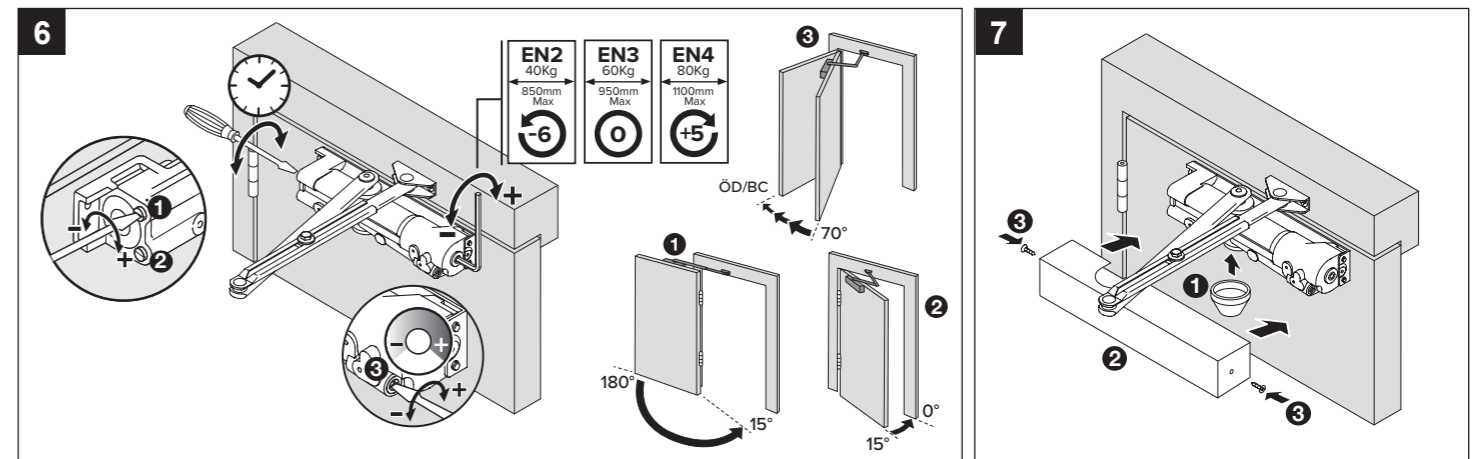
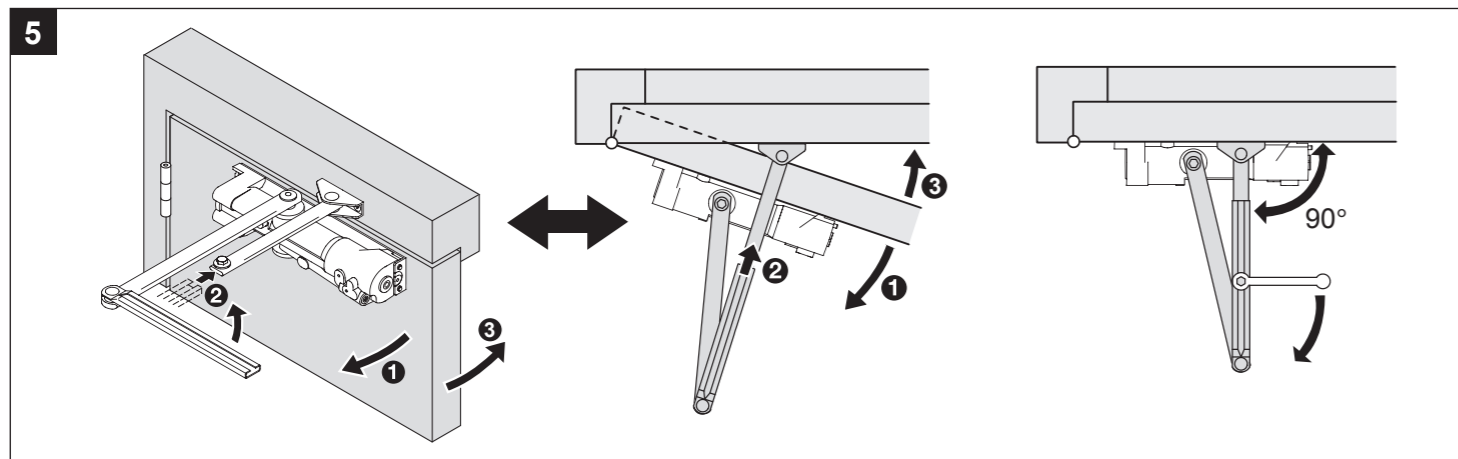
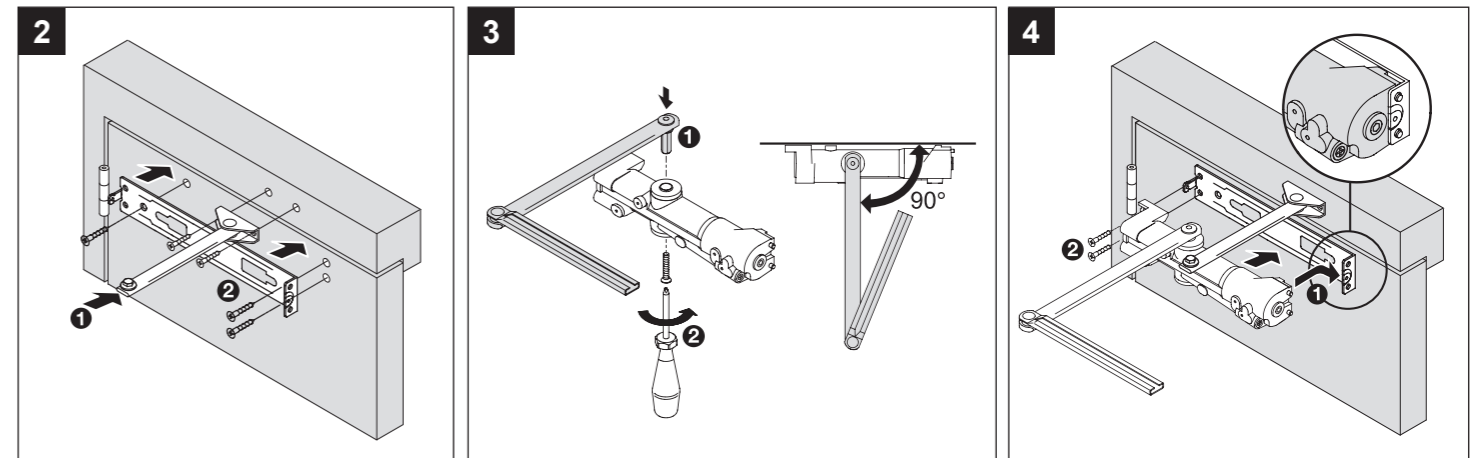
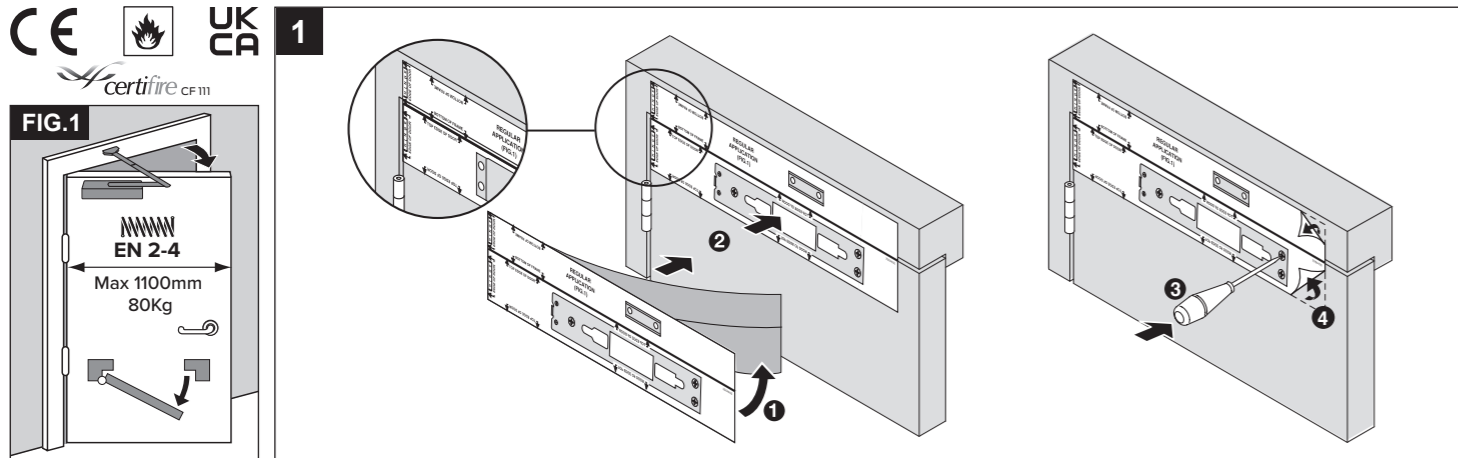


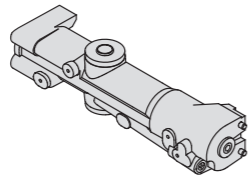
CE	Allegion (UK) Limited 35 Rocky Lane, Aston, Birmingham, B6 5RQ, UK
	2812-CPR-AD0168 2005
EN1154-1996+A1:2002	4 8 2/4 11 3
Dangerous Substances: None	
UK CA	1121-CPR-UK- AD7600
	2021

23/472/00
REVISION A

months
mois
mesi
meses
maanden
by

3





CE	Allegion (UK) Limited 35 Rocky Lane, Aston, Birmingham, B6 5RQ, UK
	2812-CPR-AD0168 2005
EN1154-1996+A1:2002	4 8 2/4 11 3
Dangerous Substances: None	
UK CA	1121-CPR-UK- AD7600
	2021

3 months
mois
mesi
meses
maanden
by

