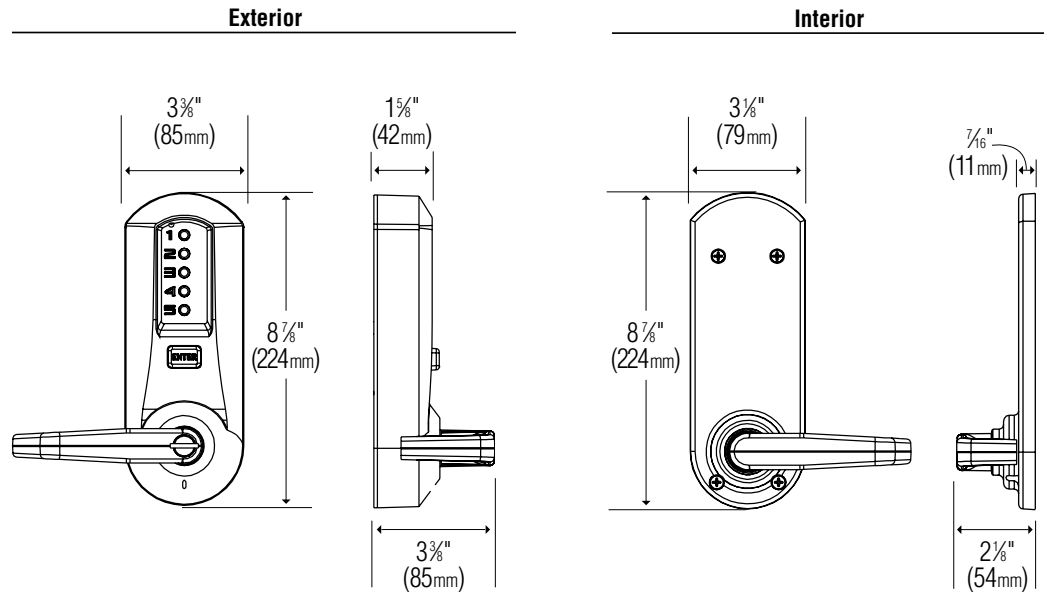


## Extra Heavy-Duty Primary Locks

SIMPLEX® 5000



### Application

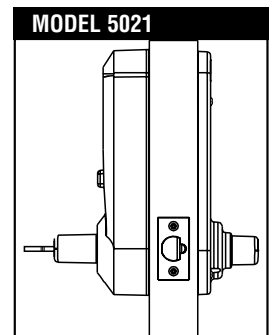
The Simplex 5000 lock provides fully mechanical pushbutton access control without any wiring, electronics or batteries. Exterior access is by combination. Egress is by interior lever and is free at all times. Lock is ADA (Americans with Disabilities Act) compliant.

The Simplex 5000 is ideal for controlling access to high-traffic, security-sensitive areas in commercial, industrial, educational, governmental, lodging, and multi-unit residential settings. Perfect for locations with a high user turnover rate such as data processing centers, employee entrances, R&D labs, apartments, dormitories, and restricted areas in hospitals and airports.

### Features

- Mechanical pushbutton strength and reliability.
- Keyless convenience.  
Eliminates problems and costs associated with issuing, controlling, and collecting keys and magnetic cards.
- Combination can be quickly and easily changed to ensure continued maximum security once employees, tenants, or guests leave.  
Thousands of possible combinations.

- Easy to install: Installs easily on wood or metal doors. No electrical wiring or computers required for programming. Fully contained front and rear housing assemblies install in minutes.
- Non-handed: One lock for both left- and right-hand door applications.
- Easy to maintain: No batteries, and fewer parts to maintain during life of lock.
- User friendly: One-hand operation. Short lever travel distance with an ergonomically correct design. Latch retracts when lever is turned in either direction.
- Mechanical key override: Used to override the lock combination and gain access using a key. Permits facilities to initiate or maintain their master-keyed security system.
- Direct drive: Eliminates potential breakage in critical internal links.
- Rugged and weather-resistant: Lock is wear tested for intensive use.
- Two-year warranty.



## Specifications

### Construction

Extra heavy-duty cylindrical lock housing; solid cast housings; solid cast zinc levers, stainless steel cylindrical drive components

### Certifications

ANSI/BHMA A 156.2, Grade 1 Certified

### Compliance

Three-hour U.L./U.L.C. Fire Door Rating  
ADA (Americans with Disabilities Act)

### Key Override

Conventional key-in-lever cylinder with Kaba Ilco 15395 cylinder included. Schlage C keyway, keyed different. Tailpieces included for compatibility with the following cylinders:

Abloy 5277	Abloy 5477	Arrow C 100
ASSA 65611	ASSA 65691	Australian
Corbin Russwin 2000-03	Kaba Ilco 1599	Kaba Ilco 15395
Marks	Medeco 20W200H1	Sargent 10 Line
Schlage 23-001	Schlage Primus 20-760	

### Strike

ASA strike plate

### Backset

2 ¾" (70mm)

### Door Thickness

1 ¾" (35mm) to 2 ¼" (57mm). Preassembled to accommodate doors 1 ½" to 2" (41 to 51mm).

### Installation

Easily installs on wood or metal doors. ASA 161 door preparation with two (2) additional through bore holes. Retrofits cylindrical and tubular locksets with a 2 ¾" (70mm) backset.

### Door handing

Non-handed lock, preassembled for left-hand door installations—can be easily changed in the field.

### Items Supplied

Complete lock, latch, ASA strike, Installation Manual, template, Kaba Ilco 15395 cylinder, two nickel plated brass keys, five tailpieces, spare cylinder retainer, spare inside lever set screw, lever release combination change tool, hardware required for installation, and hardware required for thin and thick door installations.

### Weight

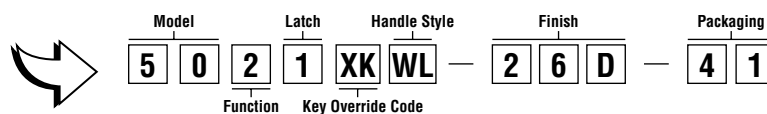
8.0 lb (3.65 Kg)

## Ordering Information

### Example

Model 50 Cylindrical Lock with ½" (13mm) floating front throw latch, Key-In-Lever Cylinder (included), Lever Handle, Satin Chrome Finish, packaged 1 per box.

Build the part number with the features you require:



Model	Function	Latch	Key Override	Handle Style	Finish	Packaging
50	2	1	XK	WL	26D	41
		5				

### Model

50 5000 Series Cylindrical Lock

### Function

2 Entrance

### Latch

1 ½" (13mm) floating front throw latch  
5 ¾" (19mm) beveled front throw latch

### Key Override

XK Key-In-Lever Cylinder, Cylinder Included

### Handle Style

WL Lever

### Finish

26D (626) Satin Chrome

### Packaging

41 1 per box; 15 per case



45 Assembly Street Edinburgh EH6 7BQ  
Tel: 0131 555 0909 Fax: 0131 554 1177  
Email: sales@keyprint.co.uk  
Website: www.keyprint.co.uk