



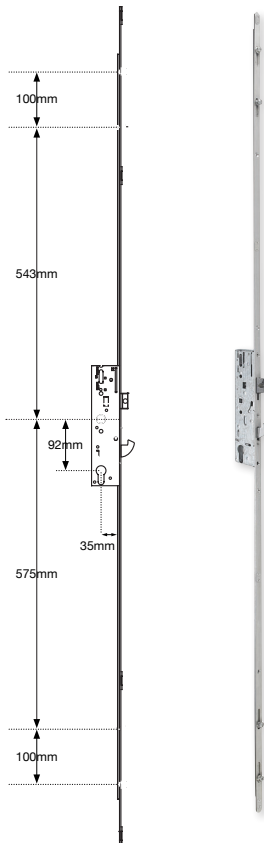
UPVC SECURITY
BROCHURE

Yale Doormaster	2 - 4
Multi-Point Locks	5 - 7
Replacement Gearboxes	9 - 21
Overnight Locks	21 - 23
Door Handles	24 - 27
Popular Window Handles	28
Display Boards	29
Notes	30

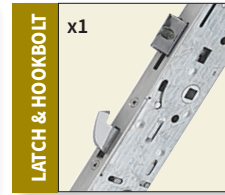
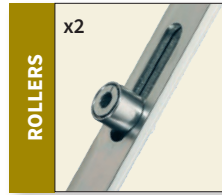
Yale Doormaster™	Universal STANDARD SECURITY	Adjustable HIGH SECURITY	Professional HIGH SECURITY	BS PAS3621:2011* MAXIMUM SECURITY
DOOR TYPE VARIANTS				
PVCu	3	3	3	3
Composite/Timber	-	-	3	3
BACKSET SIZE				
35mm	3	3	3	3
45mm	3	-	3	3
FACEPLATE WIDTH				
16mm	3	3	3	3
20mm	-	-	3	3
PRODUCT FEATURES				
Hooks (anti-separation)	1	3	3	3
Rollers (compression)	2	2	2	2
Roller Adjustment	3	3	3	3
Mushroom Rollers (limited anti-separation)	2 (Pre-assembled)	-	-	-
Mushroom Roller Adjustment	With screwdriver for ease	-	-	-
Secured by Design Approved	-	3	3	3
Keeps	1-piece Pre-assembled	3x Pre-assembled	3x Pre-assembled	3x Pre-assembled
Packers	Patented pre-assembled metal 'Uni-packers' for easy fitting	Patented pre-assembled metal 'Uni-packers' for easy fitting	Patented pre-assembled metal 'Uni-packers' for easy fitting	Patented pre-assembled metal 'Uni-packers' for easy fitting
Keep Fixings	9 pairs	9 pairs	9 pairs	9 pairs
Keep Detail	Robust Pressing	Robust Pressing	Robust Pressing	Robust Pressing
Fixing Tabs	4	2	4	4
Latch Handing	Reversible (1 screw)	Reversible (1 screw)	Reversible (1 screw)	Reversible (1 screw)
Length	1.5m (safe-fit rounded ends)	1.5m (safe-fit rounded ends)	1.5m (safe-fit rounded ends)	1.5m (safe-fit rounded ends)
Packaging	Robust cardboard box designed to hold product securely	Robust cardboard box designed to hold product securely	Robust cardboard box designed to hold product securely	Robust cardboard box designed to hold product securely

The lock complies to the requirements of PAS 3621:2011. A kitemark 3 solution must be used (either in the form of a 3* cylinder or a combination of 2* handle and 1* cylinder).

Universal - Standard Security 92mm Centres



U UPVC



CODE	BACKSET (A)	CENTRES	SPINDLE	HEIGHT	FACEPLATE	1+
UNIVERSAL - PVCU						
YDM-UNI-PVCU-35	35mm	92mm	8mm	2200mm	16mm	£58.25
YDM-UNI-PVCU-45	45mm	92mm	8mm	2200mm	16mm	£59.25

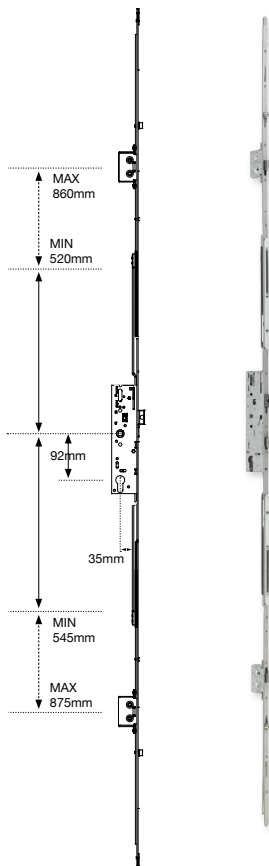
NETT EX. VAT

The Yale Doormaster Universal is designed to replace 100% of PVCu door locks with a 35mm or 45mm backset and a 16mm faceplate.

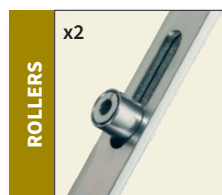
- **Operation:** Push lever up & turn key or split spindle nightlatch.
- **Supplied with:** Full length keep and uni-packer system, fixing screws pack.
- **Latch reversal:** Undo the screw in the latch to remove it. Reverse, reinsert and replace the screw.

! Please note that this is a collection-only item

Adjustable - High-Security 92mm Centres



U UPVC



CODE	BACKSET (A)	CENTRES	SPINDLE	HEIGHT	FACEPLATE	1+
ADJUSTABLE - PVCU						
YDM-ADJ-PVCU-35	35mm	92mm	8mm	2285mm	16mm	£73.42

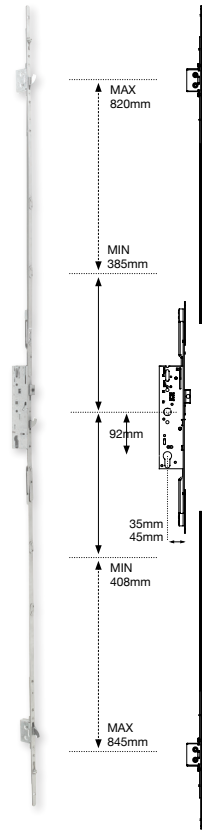
NETT EX. VAT

The Yale Doormaster Adjustable features adjustable length and hook positions to fit most PVCu doors with top and bottom hooks or bolts.

- **Operation:** Push lever up & turn key or split spindle nightlatch.
- **Supplied with:** 3x keeps and uni-packer system, fixing screws pack, 2x allen keys, 1x split spindle.
- **Latch reversal:** Undo the screw in the latch to remove it. Reverse, reinsert and replace the screw.

! Please note that this is a collection-only item

Professional - High-Security 92mm Centres



- U** UPVC
- T** TIMBER/COMPOSITE



CODE	BACKSET (A)	CENTRES	SPINDLE	HEIGHT	FACEPLATE	1+
PROFESSIONAL - PVCU						
YDM-PRO-PVCU-35	35mm	92mm	8mm	2285mm	16mm	£72.06
YDM-PRO-PVCU-45	45mm	92mm	8mm	2285mm	16mm	£70.58
PROFESSIONAL - TIMBER						
YDM-PRO-TMBR-45	45mm	92mm	8mm	2285mm	20mm	£73.42

NETT EX. VAT

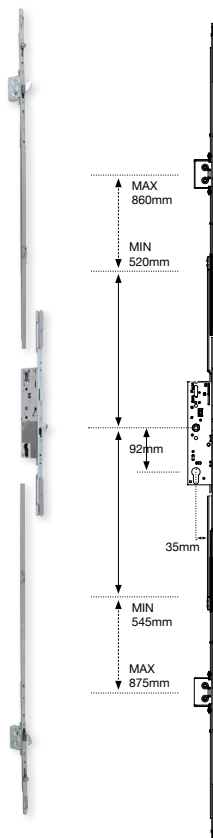
The Yale Doormaster Professional features adjustable length and hook positions to fit most PVCu doors with top and bottom hooks or bolts.

- **Operation:** Push lever up & turn key or split spindle nightlatch.
- **Supplied with:** 3x keeps and uni-packer system, fixing screws pack, 2x allen keys, 1x split spindle.
- **Latch reversal:** Undo the screw in the latch to remove it. Reverse, reinsert and replace the screw.

! Please note that this is a collection-only item

UPVC Multi-Point

PAS 3621: 2011 British Standard



- U** UPVC
- T** TIMBER/COMPOSITE



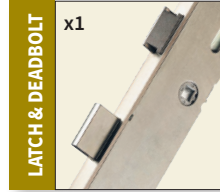
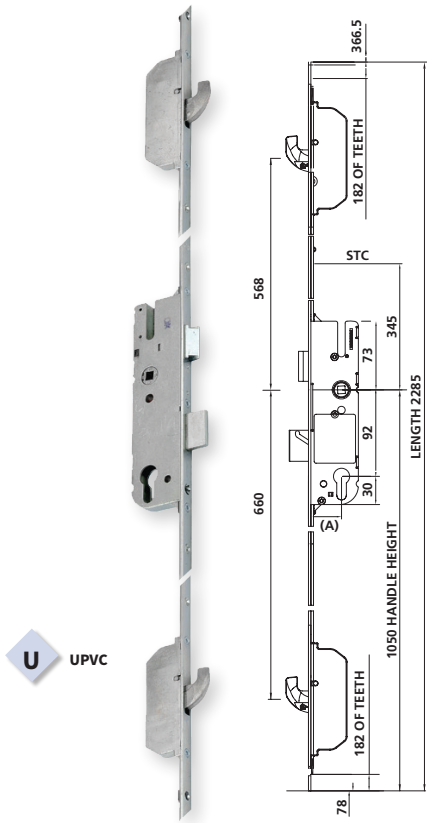
CODE	BACKSET (A)	CENTRES	SPINDLE	HEIGHT	FACEPLATE	1+
PAS 3621: 2011 BRITISH STANDARD - PVCU						
YDM-BS-PVCU-35	35mm	92mm	8mm	2285mm	16mm	£85.67
YDM-BS-PVCU-45	45mm	92mm	8mm	2285mm	16mm	£86.64
PAS 3621: 2011 BRITISH STANDARD - TIMBER						
YDM-BS-TIMBR-45	45mm	92mm	8mm	2285mm	20mm	£86.64

NETT EX. VAT

The Yale Doormaster British Standard features croppable extensions to fit most PVCu doors with top and bottom hooks or bolts. The lock complies to the requirements of PAS 3621:2011. A kitemark 3* solution must be used (either in the form of a 3* cylinder or a combination of 2* handle and 1* cylinder). Failure to use a valid 3* solution will invalidate the kitemark.

! Please note that this is a collection-only item

Rhinobolt, Latch & Deadbolt Function



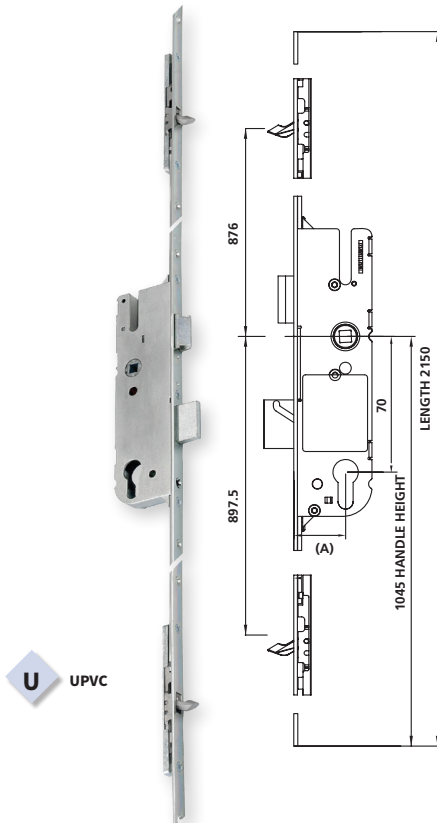
CODE	BACKSET (A)	CENTRES	SPINDLE	HEIGHT	FACEPLATE	1+
GU EUROPA RHINOBOLT - 2 RHINOBOLTS						
UFER-E28-2RB	28mm	92mm	8mm	2285mm	16mm	£69.40

NETT EX. VAT

- Takes Euro profile cylinder (not included).
- Single spindle.
- **Operation:** Push lever up & turn key.
- **Latch reversal:** Push a flat bladed screwdriver into the small rectangular slot above spindle and pull out the latch at the same time. Reverse and reinsert.

! Please note that this is a collection-only item

2 Small Hookbolts, Latch & Deadbolt Function (Tripart)



CODE	BACKSET (A)	CENTRES	SPINDLE	HEIGHT	FACEPLATE	1+
GU TRIPACT - 2 SMALL HOOKBOLTS						
UFER-TR40	40mm	70mm	7mm	2150mm	20mm	£38.77
UFER-TR50	50mm	70mm	7mm	2150mm	20mm	£40.06

NETT EX. VAT

- Takes Euro profile cylinder (not included).
- Single spindle.
- **Operation:** Push lever up & turn key.
- **Latch reversal:** Push a flat bladed screwdriver into the small rectangular slot above spindle and pull out the latch at the same time. Reverse and reinsert.

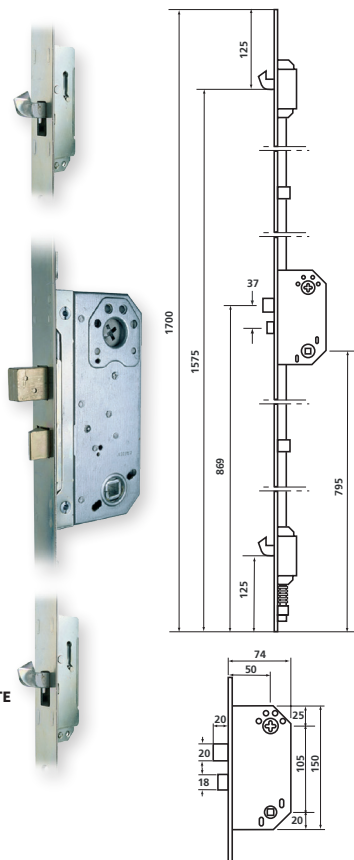
! Please note that this is a collection-only item

UPVC Multi-Point



FIX

2 Hookbolts, Latch & Deadbolt Function



CODE	KEY TURN OPTION	HANDING	BACKSET	HEIGHT	FACEPLATE	1+
FIX 2025						
FIX2025LH	360° Degrees Lock	LH	50mm	1700mm	25mm	£138.05
FIX2025RH	360° Degrees Lock	RH	50mm	1700mm	25mm	£134.43

NETT EX. VAT

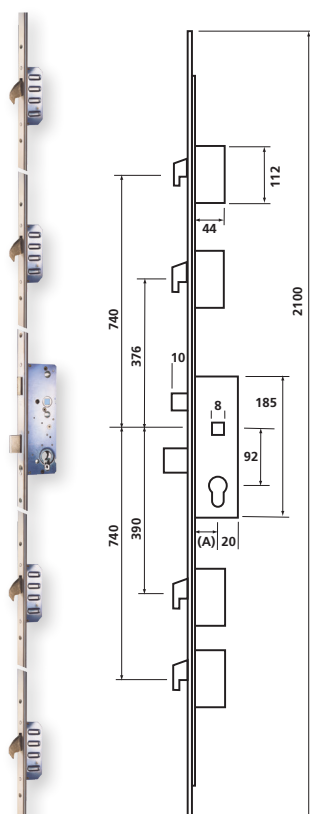
- 8mm Single spindle.
- **Operation:** Push lever up & turn key.
- **Latch reversal:** Undo the two screws on the side of the lockcase nearest to the faceplate, remove the gearbox from the strip, twist the latch to reverse and then reconnect the case to the faceplate.

T TIMBER/
COMPOSITE

! Please note that this is a collection-only item

4 Hookbolts, Latch & Deadbolt Function

WINKHAUS



CODE	BACKSET (A)	CENTRES	SPINDLE	HEIGHT	FACEPLATE	1+
WINKHAUS COBRA - 4 HOOKBOLTS						
UWK-COBRA-55-4H	55mm	92mm	8mm	2100mm	16mm	£72.83

NETT EX. VAT

- Takes Euro profile cylinder (not included).
- Single spindle.
- **Operation:** Push lever up & turn key.
- **Latch reversal:** Push a flat bladed screwdriver into the small rectangular slot above spindle and pull out the latch at the same time. Reverse and reinsert.

U UPVC

! Please note that this is a collection-only item

Comprehensive Cylinder Ranges For All Your Requirements

Cylinder Ranges

CYLINDER RANGES >>

Comprehensive cylinder ranges for medium to high-security applications

PATENTED CYLINDER RANGES FOR KEY CONTROL

IN-HOUSE FAST AND RELIABLE MASTER KEYING SERVICE

EXTRA CYLINDER OPTIONS AVAILABLE

BS KITEMARK CERTIFIED CYLINDERS FOR EXTRA SECURITY



KESO
ASSA ABLOY
KESO 4000 Modular Patented Cylinders (2023)

+ ANTI-SNAP, ANTI-PICK, MODULAR, PATENT KEY SECTION

Features:

- Grade 1: attack resistance BS EN 1303:2005, sidra body.

ESLA Technik Pro
ESLA Technik Pro Anti-Snap 6-Pin Patented Cylinders (2032)

Features:

- Double snap secure sacrificial line TS 007, anti-drill, anti-pick, anti-screw, anti-bump.
- Tested to BS3*** cylinder TS 007:2014, BS EN 1303:2005, Secured by design.

ESLA Technik Pro
ESLA Technik Pro Anti-Bump 6 Pin Patented Cylinders (2032)

Features:

- Pick resistant, anti-bump, patent key section 2032, 6 pin key system.
- Tested to BS EN 1303:2005.

300G+
HS FLAT KEY SYSTEM
3000+ HS 10 Pin Patented Cylinders (2026)

Features:

- Pick resistant, anti-bump, patent key section 2026.
- Tested to BS EN 1303:2005.

300G+ AS
3000+ Restricted Anti-Snap BS Cylinders

Features:

- Strong laminate core for anti-snap protection, pick resistant, anti-bump.
- Tested to BS1* cylinder (can become BS3*** with BS** security escutcheon), BS EN 1303:2005.

2000+ Premier XT
2000+ Premier XT Patented Cylinders (2029)

Features:

- Pick resistant, anti-bump, patent key section 2029, 6 pin key system.
- Tested to BS EN 1303:2005.

300G+
3000+ Restricted Security Cylinders

Features:

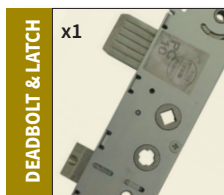
- Pick resistant, anti-bump.
- Tested to BS EN 1303:2005.
- Anti-snap available (3000 anti-snap).

ESLA NG
ESLA NG Security 6-Pin Cylinders

Features:

- Anti-drill, 6 pin system.
- Tested to BS EN 1303:2005.

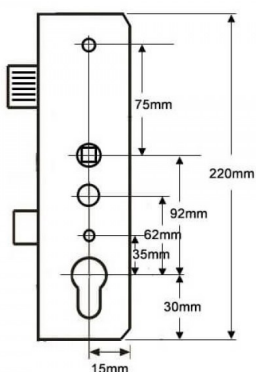
Avantis UPVC Gearboxes



CODE	BACKSET	CASE	CENTRES	SPINDLE	1+
AVANTIS GEARBOXES					
UMPL-CL036	35mm	220mm	62mm/92mm	DUAL	£38.74
UMPL-CL037	45mm	220mm	62mm/92mm	DUAL	£38.74

NETT EX. VAT

- 8mm Dual spindle.
- **Operation:** Lift Lever or dual spindle.
- Suitable for right and left handed doors. The latch is easily reversed simply by unscrewing the two screws that hold the latch in place.



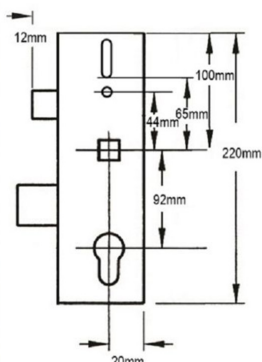
ERA UPVC Gearboxes - Latch & Deadbolt



CODE	BACKSET	CASE	CENTRES	SPINDLE	1+
ERA GEARBOXES					
UMPL-CL002	35mm	220mm	92mm	SPLIT	£14.13
UMPL-CL003	45mm	220mm	92mm	SPLIT	£14.13

NETT EX. VAT

- 8mm Split spindle.
- **Operation:** Lift Lever or split spindle.
- Suitable for right and left handed doors. The latch is easily reversed simply by unscrewing the two screws that hold the latch in place.



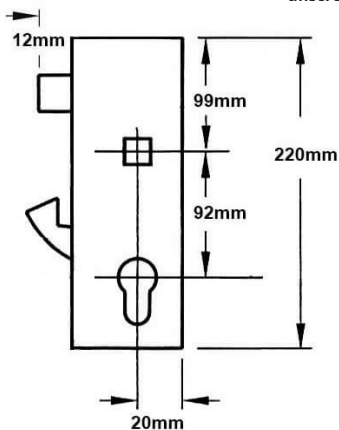
ERA UPVC Gearbox - Latch & Hookbolt



CODE	BACKSET	CASE	CENTRES	SPINDLE	1+
ERA GEARBOXES					
UMPL-CL073	35mm	220mm	92mm	SPLIT	£18.18

NETT EX. VAT

- 8mm Split spindle.
- **Operation:** Lift Lever or split spindle.
- Suitable for right and left handed doors. The latch is easily reversed simply by unscrewing the two screws that hold the latch in place.



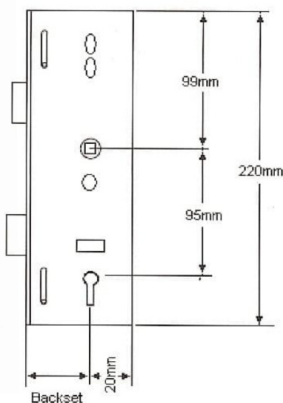
ERA Vectis UPVC Gearboxes - Latch & Deadbolt



CODE	BACKSET	CASE	CENTRES	SPINDLE	1+
ERA VECTIS GEARBOXES					
UMPL-CL004	35mm	220mm	92mm	SPLIT	£23.37
UMPL-CL005	45mm	220mm	92mm	SPLIT	£23.82

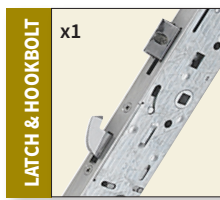
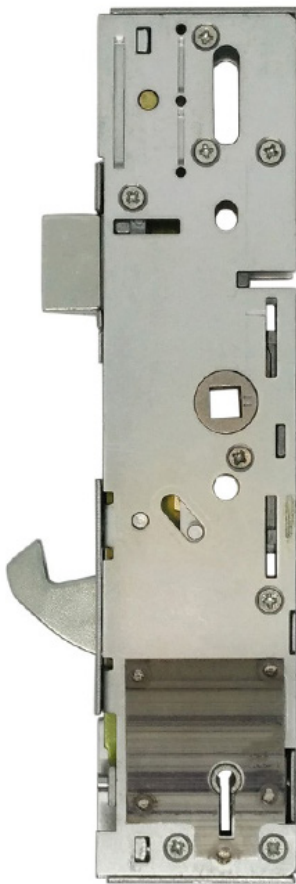
NETT EX. VAT

- 8mm Split spindle.
- **Operation:** Lift Lever or split spindle.
- Suitable for right and left handed doors. The latch is easily reversed simply by unscrewing the two screws that hold the latch in place.



UPVC Gearboxes

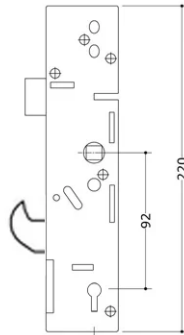
ERA Vectis UPVC Gearboxes - Latch & Hookbolt



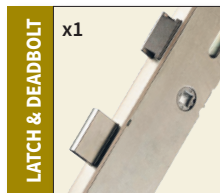
CODE	BACKSET	CASE	CENTRES	SPINDLE	1+
ERA VECTIS HOOK					
UMPL-CL072	35mm	220mm	92mm	SPLIT	£23.37

NETT EX. VAT

- 8mm Spindle.
- **Operation:** Lift Lever or split spindle.
- Suitable for right and left handed doors. The latch is easily reversed simply by unscrewing the two screws that hold the latch in place.



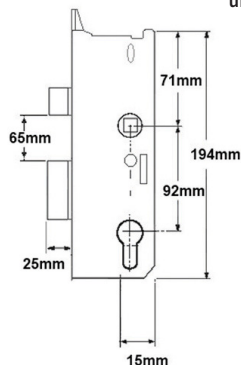
FUHR UPVC Gearboxes



CODE	BACKSET	CASE	CENTRES	SPINDLE	1+
FUHR					
UMPL-CL031	35mm	194mm	92mm	SPLIT	£18.94
UMPL-CL034	45mm	194mm	92mm	SPLIT	£18.94

NETT EX. VAT

- 8mm Split spindle.
- **Operation:** Lift Lever or split spindle.
- Suitable for right and left handed doors. The latch is easily reversed simply by unscrewing the two screws that hold the latch in place.



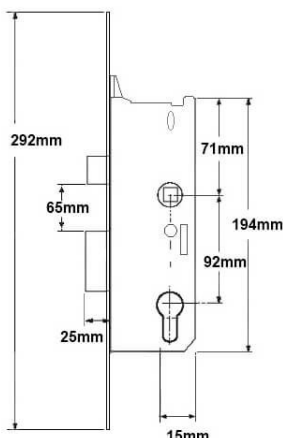
FUHR UPVC Overnight Locks



CODE	BACKSET	CASE	CENTRES	SPINDLE	1+
FUHR					
UMPL-CL032	35mm	194mm	92mm	SINGLE	£20.20
UMPL-CL033	45mm	194mm	92mm	SINGLE	£20.20

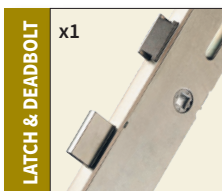
NETT EX. VAT

- 8mm Single spindle.
- **operation:** Lever Down – Key or handle retracts latch and deadbolt – Note: Handle does not lift up.
- **latch reversal:** Undo the screw in the side of the lock case adjacent to the latch. remove the latch, reverse, reinsert and replace the screw.



UPVC Gearboxes

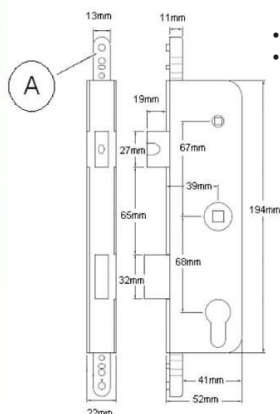
Fullex "A" CASE OLD-STYLE UPVC Gearboxes



CODE	BACKSET	CASE	CENTRES	SPINDLE	1+
FULLEX OLD-STYLE A					
UMPL-CL070	39mm	194mm	68mm	SINGLE	£55.08

NETT EX. VAT

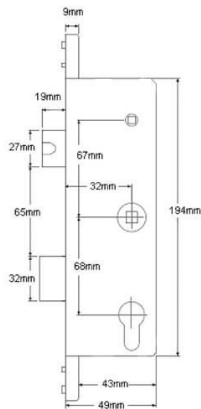
- Top lug will have "A" cast into the face.
- Lug is 9mm deep.
- 8mm Split spindle.
- You can also use it to replace the 39mm backset version of discontinued Fullex Old-Style B, D, E, F and G gearboxes.
- **Operation:** Lift Lever or split spindle.
- **Suitable for right and left handed doors.** The latch is easily reversed simply by unscrewing the two screws that hold the latch in place.



Fullex NEW STYLE SL16 UPVC Gearboxes



CODE	BACKSET	CASE	CENTRES	SPINDLE	1+
FULLEX NEW STYLE SL16					
UMPL-CL006	35mm	194mm	68mm	SPLIT	£30.20
UMPL-CL008	45mm	194mm	68mm	SPLIT	£32.67
UMPL-CL009	55mm	194mm	68mm	SPLIT	£33.70



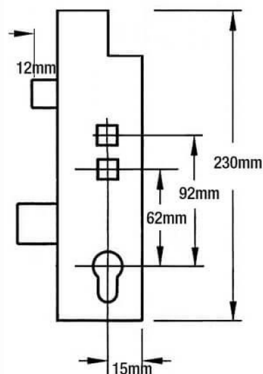
- 8mm Split spindle.
- **Operation:** Lift Lever or split spindle.
- Suitable for right and left handed doors. The latch is easily reversed simply by unscrewing the two screws that hold the latch in place.

NETT EX. VAT

Fullex Crimebeater UPVC Gearboxes



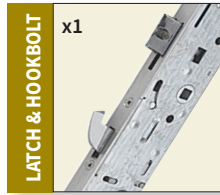
CODE	BACKSET	CASE	CENTRES	SPINDLE	1+
FULLEX CRIMEBEATER					
UMPL-CL064	35mm	230mm	62mm/92mm	DUAL	£23.52
UMPL-CL039	45mm	230mm	62mm/92mm	DUAL	£25.25
UMPL-CL065	55mm	230mm	62mm/92mm	DUAL	£28.32



- 8mm Dual spindle.
- **Operation:** Lift Lever or Dual Spindle.
- Suitable for right and left handed doors. The latch is easily reversed simply by unscrewing the two screws that hold the latch in place.

NETT EX. VAT

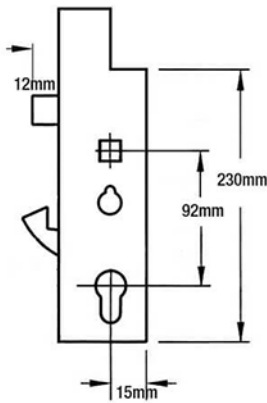
Fullex XL UPVC Gearboxes - 35mm Backset



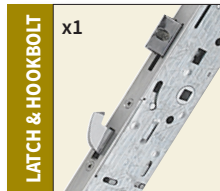
CODE	BACKSET	CASE	CENTRES	SPINDLE	1+
FULLEX XL					
UMPL-CL038	35mm	230mm	92mm	SINGLE	£24.60
UMPL-CL060	35mm	230mm	62mm/92mm	DUAL	£19.57
UMPL-CL061	35mm	230mm	92mm	SPLIT	£23.13

NETT EX. VAT

- 8mm Spindle.
Suitable for right and left handed doors. The latch is easily reversed simply by unscrewing the two screws that hold the latch in place.



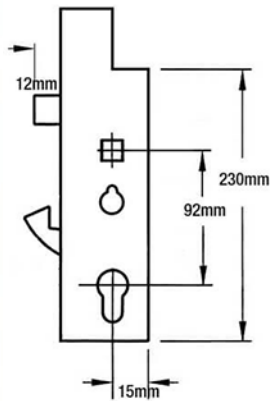
Fullex XL UPVC Gearboxes - 45mm Backset



CODE	BACKSET	CASE	CENTRES	SPINDLE	1+
FULLEX XL					
UMPL-CL062	45mm	230mm	92mm	SINGLE	£26.65
UMPL-CL040	45mm	230mm	62mm/92mm	DUAL	£26.65

NETT EX. VAT

- 8mm Split spindle.
• Suitable for right and left handed doors. The latch is easily reversed simply by reworking the two screws that hold the latch in place.



GU OLD STYLE UPVC Gearbox - Copy



UPVC Gearboxes

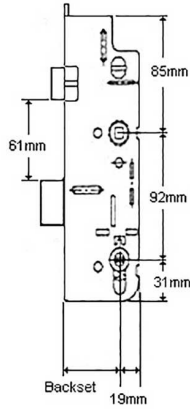
UPVC Gearboxes



CODE	BACKSET	CASE	CENTRES	SPINDLE	1+
GU OLD STYLE - COPY					
UMPL-CL010	35mm	208mm	92mm	SINGLE	£9.50

NETT EX. VAT

- 8mm single spindle.
- Single spindle for lift Lever/Lever.
- You can easily adapt the latch to fit both left and right handed doors: Undo the screw in the side of the lock case to remove the latch, reverse, reinsert and replace the screw.



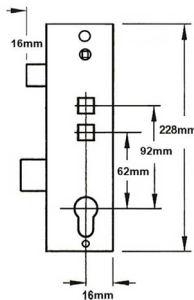
Lockmaster UPVC Gearboxes - Dual Spindle



CODE	BACKSET	CASE	CENTRES	SPINDLE	1+
LOCKMASTER - GENUINE					
YDM-GBLMASD35D	35mm	228mm	62mm/92mm	DUAL	£27.48
YDM-GBLMASD45D	45mm	228mm	62mm/92mm	DUAL	£32.66
LOCKMASTER - COPY					
UMPL-CL019	35mm	228mm	62mm/92mm	DUAL	£10.66
UMPL-CL021	45mm	228mm	62mm/92mm	DUAL	£10.66

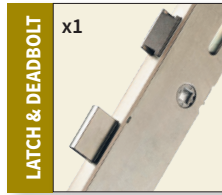
NETT EX. VAT

- 8mm Dual spindle.
- Suitable for right and left handed doors. The latch is easily reversed simply by unscrewing the two screws that hold the latch in place.
- Unsprung and not suitable for use with unsprung handles.



Lockmaster UPVC Gearboxes - Single Spindle

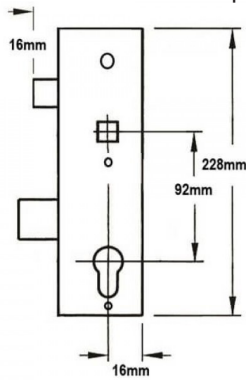
LOCKMASTER®



CODE	BACKSET	CASE	CENTRES	SPINDLE	1+
LOCKMASTER					
YDM-GBLMASD35T	35mm	228mm	92mm	SINGLE	£22.90
YDM-GBLMASD45T	45mm	228mm	92mm	SINGLE	£32.66

NETT EX. VAT

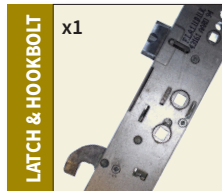
- 8mm Spindle.
- Lift lever.
- Suitable for right and left handed doors. The latch is easily reversed simply by unscrewing the two screws that hold the latch in place.
- Sprung.



UPVC Gearboxes

Lockmaster UPVC Gearboxes - Latch & Hookbolt

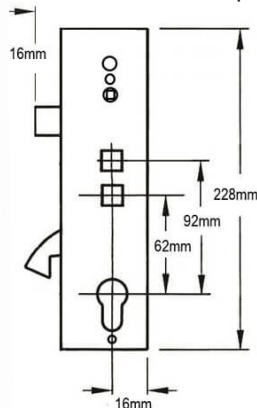
LOCKMASTER®



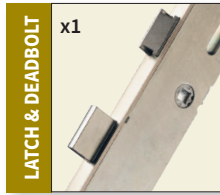
CODE	BACKSET	CASE	CENTRES	SPINDLE	1+
LOCKMASTER					
YDM-GBLMASH35D	35mm	228mm	62mm/92mm	DUAL	£22.90

NETT EX. VAT

- 8mm Dual spindle.
- Suitable for right and left handed doors. The latch is easily reversed simply by unscrewing the two screws that hold the latch in place.
- Unsprung and not suitable for use with unsprung handles.



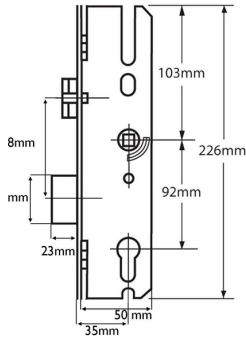
MACO OLD STYLE MK3 UPVC Gearbox



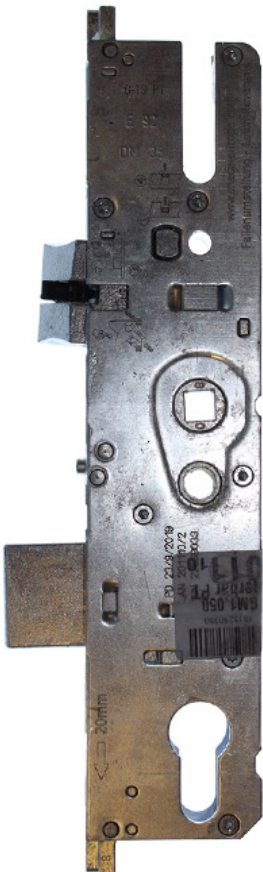
CODE	BACKSET	CASE	CENTRES	SPINDLE	1+
MACO MK3					
UMPL-CL044	35mm	226mm	92mm	SINGLE	£29.53

NETT EX. VAT

- 8mm Single spindle.
- Suitable for right and left handed doors. The latch is easily reversed simply by pushing up the serrated button on the side of the case, removing the latch, reversing and reinserting.



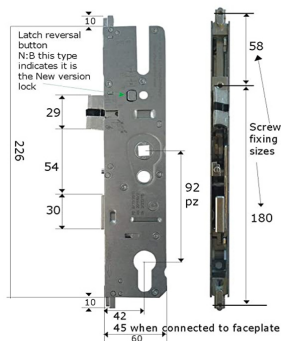
Maco G-TS MK4 UPVC Gearboxes



CODE	BACKSET	CASE	CENTRES	SPINDLE	1+
MACO MK4					
UMPL-CL043	35mm	228mm	92mm	SPLIT	£32.09
UMPL-CL045	45mm	228mm	92mm	SPLIT	£29.53

NETT EX. VAT

- Lift lever.
- Latch reversal: Push up the square button on the side of the case, remove the latch, reverse and reinsert.
- It can't be used to replace MK2 or MK3 gearboxes because of the different positioning of the faceplate fixing screws.



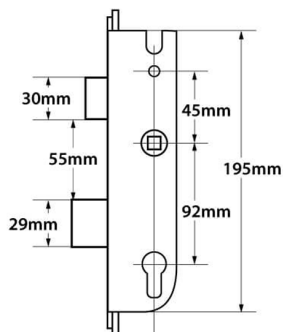
Maco CTS MK5 UPVC Gearboxes



CODE	BACKSET	CASE	CENTRES	SPINDLE	1+
MACO MK5					
UMPL-CL042	35mm	195mm	92mm	SPLIT	£31.39
UMPL-CL041	45mm	195mm	92mm	SPLIT	£25.25

NETT EX. VAT

- Split spindle.
- Latch reversal: Push up serrated button on the side of the case, remove the latch, reverse and reinsert.
- It can't be used to replace MK2, MK3 and MK4 gearboxes because of the different positioning of the faceplate fixing screws.



UPVC Gearboxes

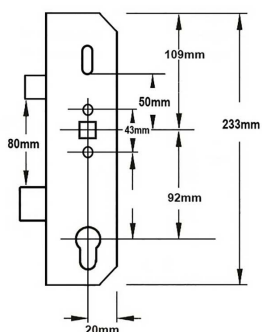
MILA UPVC Gearboxes



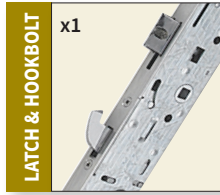
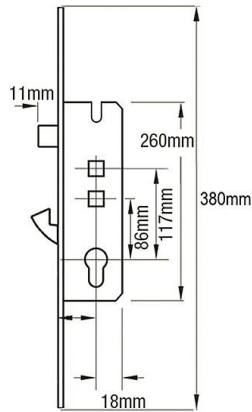
CODE	BACKSET	CASE	CENTRES	SPINDLE	1+
MILA - GENUINE					
UMPL-CL051	35mm	233mm	92mm	SINGLE	£18.67
MILA - COPY					
UMPL-CL017	35mm	233mm	92mm	SINGLE	£9.50

NETT EX. VAT

- 8mm Single spindle.
- Suitable for right and left handed doors. The latch is easily reversed simply by unscrewing the two screws that hold the latch in place.



MILENCO MANTIS 3 UPVC Gearboxes



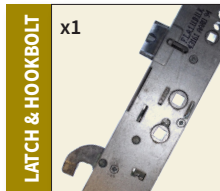
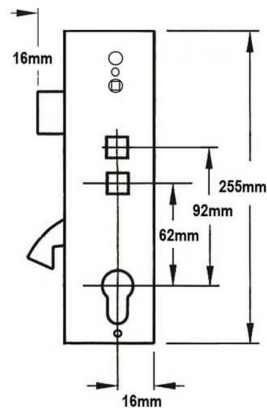
LATCH & HOOKBOLT x1

CODE	BACKSET	CASE	CENTRES	SPINDLE	1+
MILENCO					
UMPL-CL055	35mm	260mm	86mm/117mm	DUAL	£34.67

- 8mm Split spindle.

NETT EX. VAT

SAFEWARE UPVC Gearboxes - Hook & Latch



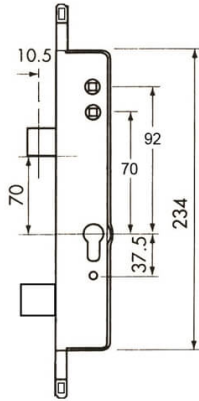
LATCH & HOOKBOLT x1

CODE	BACKSET	CASE	CENTRES	SPINDLE	1+
SAFEWARE					
UMPL-CL080	35mm	255mm	66mm/92mm	DUAL	£35.98

- 8mm Dual Spindle.
- **Suitable for right and left-handed doors.** Undo the screw in the latch to remove it. Reverse and reinsert then replace the screw.
- **Note** that this is almost identical in style to the Lockmaster case and often confused. Lockmaster case height is 228mm while Safeware is 255mm.

NETT EX. VAT

SURELOCK CEGO UPVC Gearboxes

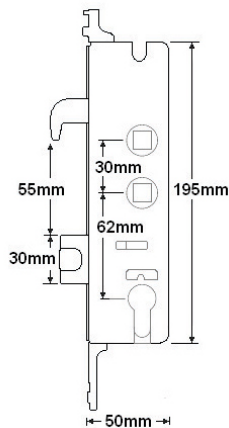


CODE	BACKSET	CASE	CENTRES	SPINDLE	1+
SURELOCK/CEGO					
UMPL-CL027	35mm	234	70mm/92mm	DUAL	£50.00

NETT EX. VAT

- Also known as Zenith, Bowater or Staybrite.
- 8mm Dual Spindle.
- **Operation:** Lift lever or dual spindle.
- **Latch reversal:** Lay the multipoint lock strip on the floor with the latch and deadbolt facing to the left. Undo the 5 screws on the side of the case, remove the flat positioning plate, remove the latch clip, twist the latch into the desired position, reinsert the flat positioning plate and latch clip, replace the cover and tighten screws.

YALE G200 Series UPVC Gearbox



CODE	BACKSET	CASE	CENTRES	SPINDLE	1+
YALE G200					
YDM-GBG2000H35D	35mm	195mm	62mm/92mm	DUAL	£22.90

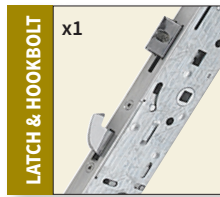
NETT EX. VAT

- **Operation:** Lift lever split spindle
- **Latch reversal:** Undo the screw or screws (depending on the model) in the latch to remove. Reverse, reinsert and replace screw(s)

YALE YS170 Series UPVC Gearboxes



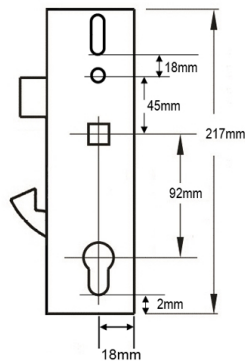
UPV Gearboxes & Overnight Locks



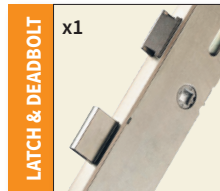
CODE	BACKSET	CASE	CENTRES	SPINDLE	1+
YALE YS170					
YDM-GBYS170H35S	35mm	217mm	92mm	SPLIT	£35.88
YDM-GBYS170H45S	45mm	217mm	92mm	SPLIT	£31.44

NETT EX. VAT

- 8mm Split spindle.
- Suitable for right and left handed doors. The latch is easily reversed simply by unscrewing the two screws that hold the latch in place.



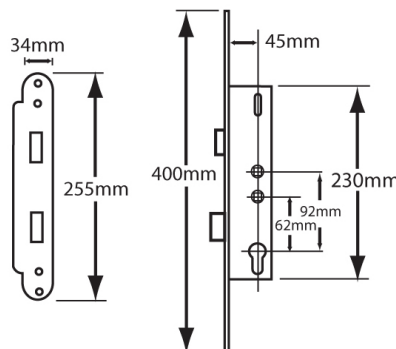
Yale Doormaster Overnight Locks to suit Lockmaster



CODE	BACKSET	CASE	CENTRES	SPINDLE	1+
YALE DOORMASTER					
YDM-ONPVCU-D35DF	35mm	230mm	62mm/92mm	DUAL	£34.37
YDM-ONPVCU-D45DF	45mm	230mm	62mm/92mm	DUAL	£34.37

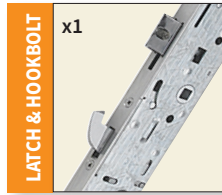
NETT EX. VAT

- Dual spindle.
- To Suit Lockmaster.
- Faceplate and strike to suit timber doors.





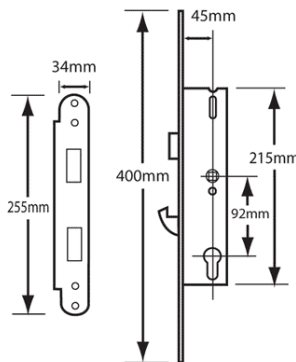
Yale Doormaster YS170 Overnight Locks to suit Timber Doors



CODE	BACKSET	CASE	CENTRES	SPINDLE	1+
YALE DOORMASTER					
YDM-ONTMB-H45SF	45mm	215mm	92mm	SPLIT	£34.37

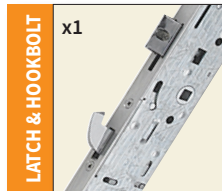
- 8mm Split spindle.

NETT EX. VAT



Overnight Locks

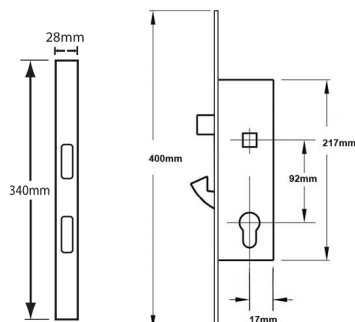
Yale Doormaster YS170 Overnight Locks



CODE	BACKSET	CASE	CENTRES	SPINDLE	1+
YALE DOORMASTER					
YDM-ONPVC-H35SF	35mm	217mm	92mm	SPLIT	£34.37
YDM-ONPVC-H45SF	45mm	217mm	92mm	SPLIT	£34.37

- 8mm Split spindle.
- Handle retracts latch.
- Handle throws and retracts deadbolt.
- Supplied with adjustable keep and screws.

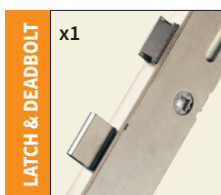
NETT EX. VAT





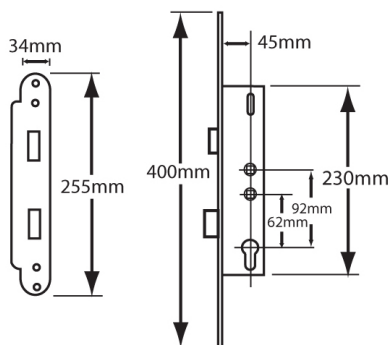
Yale Doormaster Lockmaster Overnight Locks to suit Timber Doors

Overnight Locks



CODE	BACKSET	CASE	CENTRES	SPINDLE	1+
YALE DOORMASTER					
YDM-ONTMB-D45DF	45mm	230mm	62mm/92mm	DUAL	£34.37

NETT EX. VAT



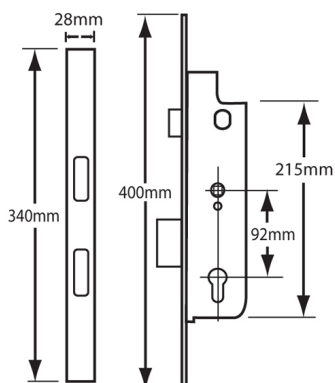
Yale Doormaster Overnight Lock to suit GU



CODE	BACKSET	CASE	CENTRES	SPINDLE	1+
YALE DOORMASTER					
YDM-ONPVC-D35TF	35mm	215mm	92mm	SINGLE	£34.37

NETT EX. VAT

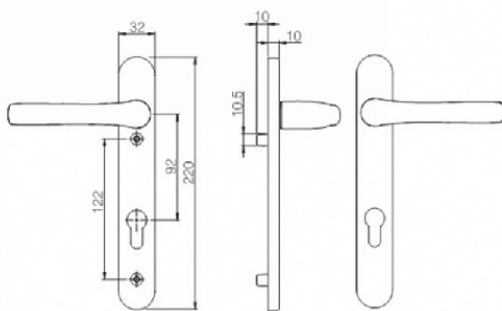
- 8mm Single spindle.
- Handle retracts latch.
- Handle throws and retracts deadbolt.
- Supplied with adjustable keep and screws.



Replacement 92mm Centres Multi-point Lock Handles - 220mm Backplate



UF-M309



CODE	CENTRES	BACKPLATE	FINISH	1+
REPLACEMENT DOOR HANDLES - 220MM BACKPLATE				
UF-M300	92mm	220mm	Silver	£16.30
UF-M303	92mm	220mm	Gold	£17.90
UF-M304	92mm	220mm	Polished Gold	£19.45
UF-M305	92mm	220mm	Smokey Chrome	£22.57
UF-M307	92mm	220mm	Black	£9.11
UF-M308	92mm	220mm	White	£9.11
UF-M309	92mm	220mm	Polished Chrome	£18.17
UF-M3025	92mm	220mm	Smooth Satin	£17.19

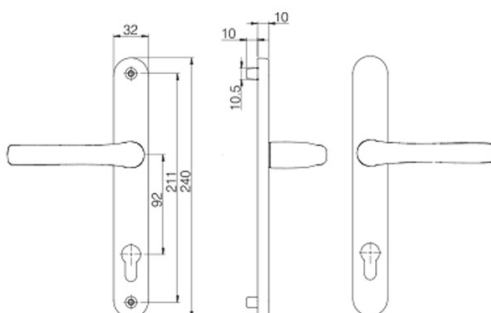
- Suitable for timber, uPVC, aluminium & composite residential doors.
- Suitable with euro multi-point locks.
- **Suitable door thickness: 44-77mm.**
- Fixing screws and spindle supplied.
- For internal & external use.

NETT EX. VAT

Replacement 92mm Centres Multi-point Lock Handles - 240mm Backplate



UF-M409



CODE	CENTRES	BACKPLATE	FINISH	1+
REPLACEMENT DOOR HANDLES - 240MM BACKPLATE				
UF-M420	92mm	240mm	Silver	£16.71
UF-M423	92mm	240mm	Gold	£18.33
UF-M424	92mm	240mm	Polished Gold	£19.49
UF-M415	92mm	240mm	Smokey Chrome	£22.82
UF-M427	92mm	240mm	Black	£9.43
UF-M428	92mm	240mm	White	£9.43
UF-M409	92mm	240mm	Polished Chrome	£18.26
UF-M4125	92mm	240mm	Smooth Satin	£17.28

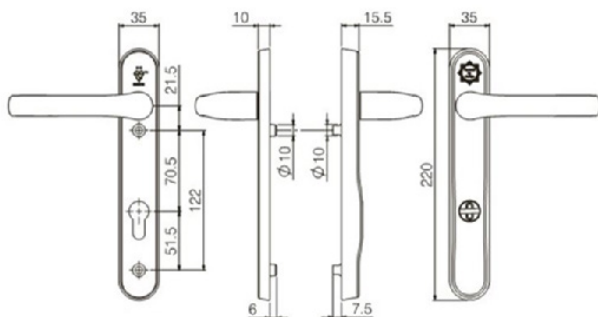
- Suitable for timber, uPVC, aluminium & composite residential doors.
- Suitable with euro multi-point locks.
- **Suitable door thickness: 44-77mm.**
- Fixing screws and spindle supplied.
- For internal & external use.

NETT EX. VAT

High-Security 92mm Centres Multi-point Lock Handles - 220mm Backplate



UF2-M221



CODE	CENTRES	BACKPLATE	FINISH	1+
HIGH-SECURITY DOOR HANDLES - 220MM BACKPLATE				
UF2-M124	92mm	220mm	Polished Gold	£32.78
UF2-M222S	92mm	220mm	Smooth Satin	£29.91
UF2-M228	92mm	220mm	White	£25.52
UF2-M221	92mm	220mm	Polished Chrome	£31.88

- These handles have an anti-grip surface with a chamfered edge which makes it very hard for mole grips or pliers to get a purchase on them.
- Superior fixings i.e. the screws are thicker and more substantial.
- Steel reinforcement concealed within the backplate of the handle provides anti-jemmy resistance.
- The handle has a powerful spring mechanism to ensure the handle always returns to 90 degrees avoiding handle sag.
- The ProSecure handles have a built-in anti-drill rotating disc that shields the cylinder from drill attack.
- Anti-snap integrated cylinder guard.

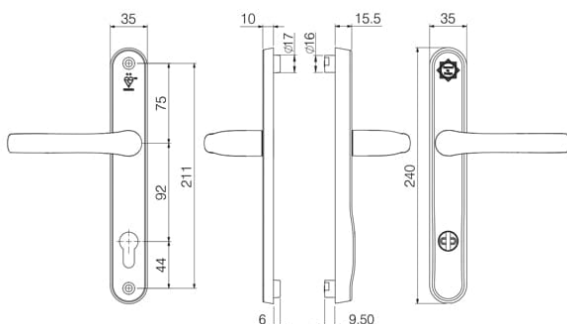
NETT EX. VAT

UPVC Handles

High-Security 92mm Centres Multi-point Lock Handles - 240mm Backplate



UF2-M201N



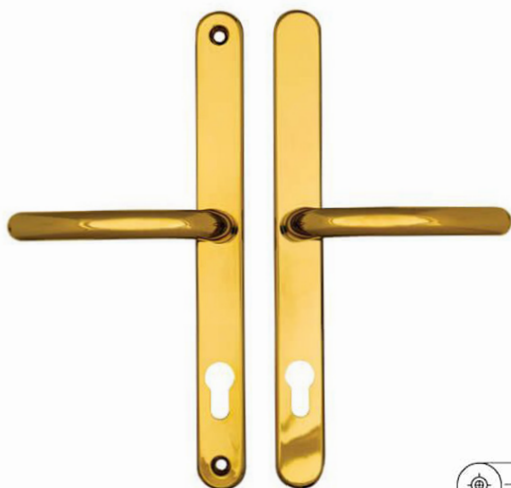
CODE	CENTRES	BACKPLATE	FINISH	1+
HIGH-SECURITY DOOR HANDLES - 240MM BACKPLATE				
UF2-M204N	92mm	240mm	Polished Gold	£32.98
UF2-M202S	92mm	240mm	Smooth Satin	£29.91
UF2-M208N	92mm	240mm	White	£25.52
UF2-M201N	92mm	240mm	Polished Chrome	£31.88

- These handles have an anti-grip surface with a chamfered edge which makes it very hard for mole grips or pliers to get a purchase on them.
- Superior fixings i.e. the screws are thicker and more substantial.
- Steel reinforcement concealed within the backplate of the handle provides anti-jemmy resistance.
- The handle has a powerful spring mechanism to ensure the handle always returns to 90 degrees avoiding handle sag.
- The ProSecure handles have a built-in anti-drill rotating disc that shields the cylinder from drill attack.
- Anti-snap integrated cylinder guard.

NETT EX. VAT

Universal 92mm Centres, Sprung, 265mm Screw Centres, Multi-point Lock Handles

UPVC Handles

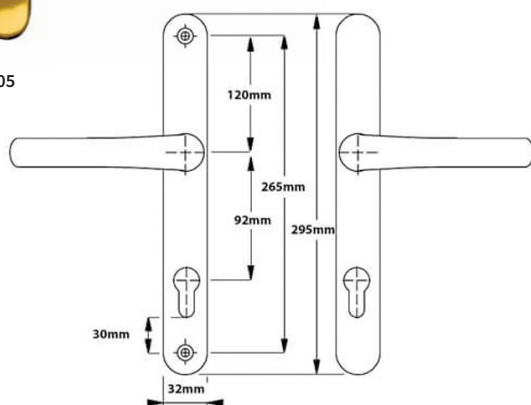


UF-U1P005

CODE	CENTRES	SCREW CENTRES	FINISH	1+
UNIVERSAL DOOR HANDLES				
UF-U1P000	92mm	265mm	White	£34.34
UF-U1P005	92mm	265mm	Polished Brass	£36.98
UF-U1P001	92mm	265mm	Polished Chrome	£36.98

NETT EX. VAT

- These extra-large universal handles have sprung 92pz internal & external levers. With a backplate of 296mm x 32mm they are available in various finishes which all meet the requirements of BS EN 1670:2007 Grade 5 (480 hours) for Corrosion Resistance.
- They are supplied as a pair complete with fixings consisting of spindle & 2 colour coordinated screws.



Elderly and Infirm Door Handle - 220mm Backplate



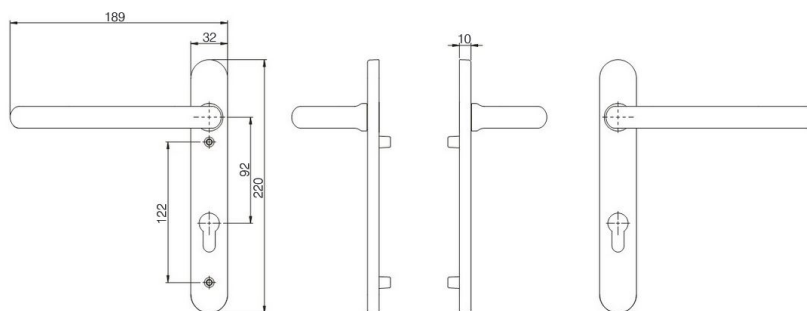
Easy-grip lever which is extra long and curved at the end for ease of use



CODE	CENTRES	BACKPLATE	FINISH	1+
ELDERLY DOOR HANDLE - LEVER SET				
UF-M838	92mm	220mm	White	£12.37
ELDERLY DOOR HANDLE - BACKPLATE SET				
UF-M868	92mm	220mm	White	£14.45

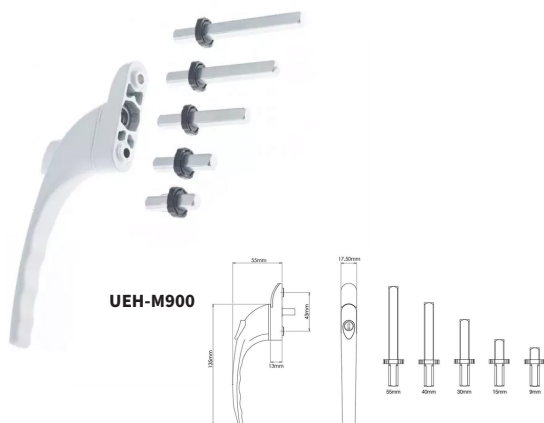
NETT EX. VAT

- White with an easy grip lever which is extra long and curved at the end for ease of use.
- Specially designed for the elderly and infirm.
- Suitable for left and right handed doors.
- Backplate features an integrated spring mechanism to ensure that the lever returns consistently to 90 degrees to prevent 'handle sag' and for ease of fabrication.
- 2 spindles supplied as standard to suit all door thicknesses.
- Fixing screws supplied as standard.
- Operational reliability - independently tested 50,000 cycles under load.



220mm backplate, PZ 92

Smart Universal Spindle Window Lock Handle 9mm - 50mm Long Range

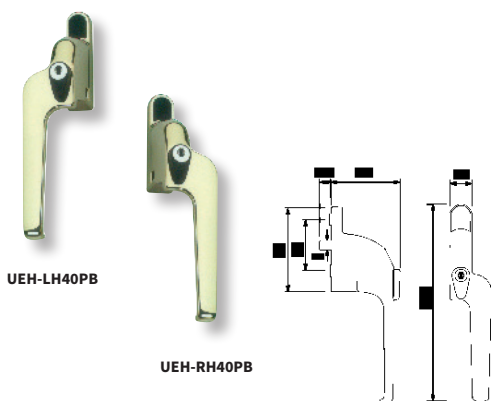


CODE	FIXING HOLE CENTRES	FINISH	1+
SMART UNIVERSAL WINDOW HANDLES			
UEH-M900	43mm	White	£5.17
UEH-M901	43mm	Polished Gold	£6.79
UEH-M902	43mm	Polished Chrome	£6.56
UEH-M905	43mm	Black	£5.17
UEH-M906	43mm	Satin Chrome	£7.03

- This smart spindle handle is a truly universal replacement for your espag window handles. With 5 interchangeable spindles to choose from, and its ability to be used with uPVC, timber and aluminium, it can be made to fit nearly all windows.

NETT EX. VAT

Offset Window Handles - Right and Left Handed

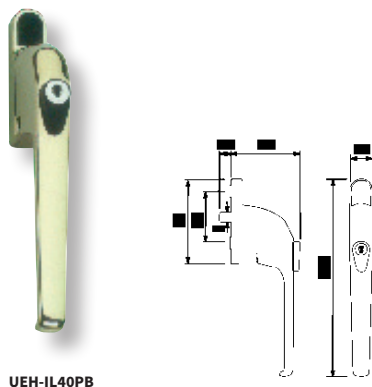


CODE	SPINDLE	SPINDLE LENGTH	HANDING	FINISH	1+
OFFSET HANDLES - RIGHT					
UEH-RH40PB	7mm	40mm	Right	Gold	£7.73
UEH-RH40WH	7mm	40mm	Right	White	£5.47
OFFSET HANDLES - LEFT					
UEH-LH40PB	7mm	40mm	Left	Gold	£7.73
UEH-LH40WH	7mm	40mm	Left	White	£5.47

- Spindle: 7mm.
- Spindle Length: 40mm.

NETT EX. VAT

Inline Window Handles



CODE	SPINDLE	SPINDLE LENGTH	HANDING	FINISH	1+
INLINE HANDLES					
UEH-IL40PB	7mm	40mm	Inline	Gold	£7.73
UEH-IL40WH	7mm	40mm	Inline	White	£5.25

- Spindle: 7mm.
- Spindle Length: 40mm.

NETT EX. VAT

Universal Cockspur Window Handles



CODE	HANDING	FINISH	1+
UNIVERSAL COCKSPUR HANDLES			
UWH-M168	Right	White	£4.55
UWH-M178	Left	White	£4.55

- High-quality universal locking cockspur handle.
- A choice of 3 spur wedges enables the handle to be used on a range of rebate heights – 9mm, 13mm, 17mm and 21mm.
- Two elongated slots enable the replacement of the majority of old cockspur handles supplied in the last 30 years.
- Supplied complete with spur wedges, cover cap, 1 key and 2 fixing screws.

NETT EX. VAT

Upvc Replacement Handles Display Board



CODE	SIZE	1+
UPVC HANDLE BOARD		
ACBUPVC-HANDLES	300mm x 805mm	£75.00

- Perfect to display your replacement door handles in your shop or showroom.
- Size: 300mm x 805mm.

NETT EX. VAT

Package includes:

- Board with 8 single handles in different finishes.
- Supplied with fixings.

Upvc Gearbox and Handle Board



CODE	SIZE	1+
UPVC GEARBOX AND HANDLE BOARD		
ACBUPVC-FULL	300mm x 805mm	£243.22

- Perfect to display your door handles and replacement gearboxes in your shop or showroom.
- Size: 300mm x 805mm.

NETT EX. VAT

Package includes:

- 1x Board
- 2x ERA 35mm
- 2x ERA 45mm
- 2x ERA VECTIS 45mm
- 2x GU Old Style 35mm
- 2x MILA 35mm
- 2x LOCKMASTER 35mm
- 2x LOCKMASTER 45mm
- 2x ATLANTA HANDLES 92mm
- 2x LONDON HANDLES 92mm
- Supplied with fixings.



KEYPRINT®
SECURITY LTD

Keyprint Security Limited
45 Assembly Street
EH6 7BQ Edinburgh
www.keyprint.co.uk
+44 (0)131 555 0909
sales@keyprint.co.uk